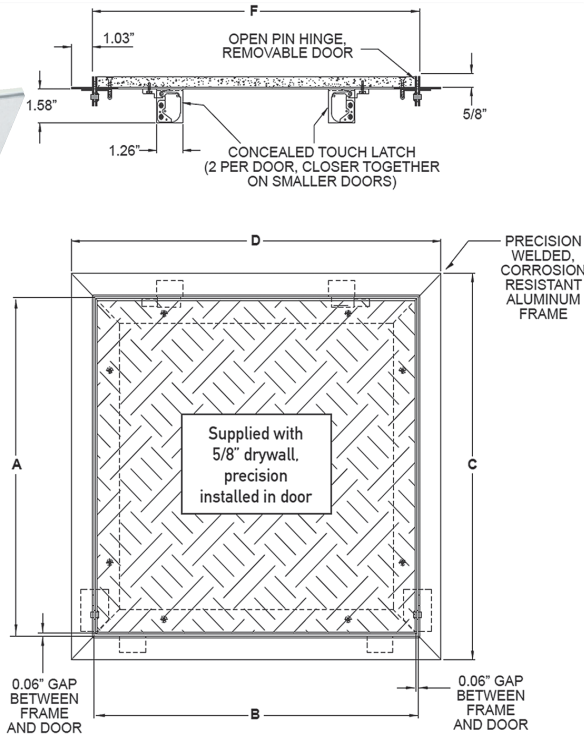


SUBMITTAL SHEET

WALLS & CEILINGS

FRONT ELEVATION



SPECIFICATIONS:

- Consists of a welded aluminium frame and is available with or without 1/2" or 5/8" inlayed drywall and two latches, for ceilings
- Outer and an inner frame assembly consists of high grade aluminium bonded with a special welding process.
- 12" x 12" and up access panels are equipped with a safety-system to prevent accidental opening. Must be reattached after each opening
- Reveal of 1/16" of an inch is visible between the outer frame and door hatch
- Concealed snap locks open the access panel when pressure is applied to the spring loaded latch side

Standard Features:

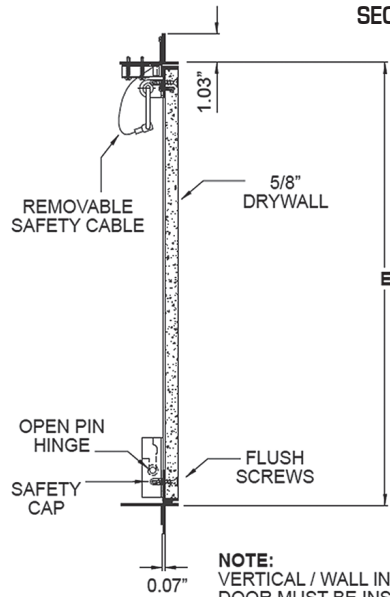
- Easy assembly
- Solid aluminium frame
- Flush installation in ceilings and walls
- Available in moisture resistant, mildew resistant dry-wall

OPTIONS (AT ADDITIONAL COST)

- Cylinder Key available



SECTION DETAIL



✓	Item No.	Door Size	Cut Opening	Ship Wt. Lbs.
	DWAL 412	8 x 8	8 3/8 x 8 3/8	12
	DWAL 412	12 x 12	12 3/8 x 12 3/8	14
	DWAL 412	16 x 16	16 3/8 x 16 3/8	17
	DWAL 412	18 x 18	18 3/8 x 18 3/8	19
	DWAL 412	20 x 20	20 3/8 x 20 3/8	25
	DWAL 412	24 x 24	24 3/8 x 24 3/8	34
	DWAL 412	24 x 36	24 3/8 x 36 3/8	41

Custom sizes available upon request.

Project: _____ Date: _____
 Contractor: _____ Architect: _____
 Sizes: _____ Quantity: _____ App Initials: _____

Corp Off: 1330 Progress Drive • Front Royal, VA 22630 • Phone: 1-800-255-5515 • Fax: 1-800-822-5001 www.wbdoors.com

RELATED PRODUCTS

WB DW 400 Series for Drywall



WB RDW 410-2 Series Recessed for Drywall



Family Owned & Operated
Since 1990
Selling only through distribution

See us on



Like us on



facebook.com/wbdoors