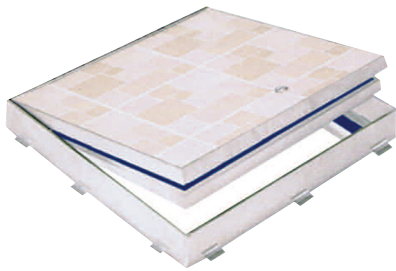


DETAIL & SUBMITTAL SHEET



SPECIFICATIONS:

Cover: aluminum, 1" (concrete) or 1/8" (tile) recess reinforced for 150 psf [732 kg/m²] live load, fitted with thermal-rated composite fire panel, tested for up to 2 hours per NFPA 288 (ASTM E119).

Frame: Thermal-break frame with aluminum upper frame and stainless steel lower frame.

Hinge: Type 316 stainless steel.

Spring Actuators: Stainless steel compression springs contained within the door assembly.

Automatic Hold-open And Closing Mechanism: Aluminum hold-open arm with red vinyl grip to automatically hold the cover in the 90 degree position. Hold-open arm incorporates a mechanism to automatically close and latch the cover when heat breaks a UL-listed fusible link.

Latch: Two-point slam latch.

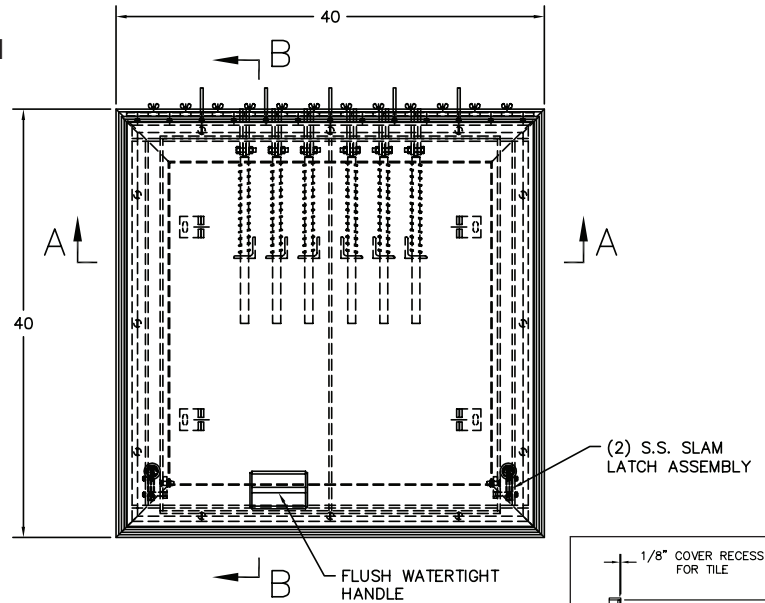
Material/Finish: Cover and frame are mill finish aluminum. Hardware is stainless steel.

Installation: Door is designed for installation in dry, interior locations only. Installation shall be in accordance with the manufacturer's instructions.

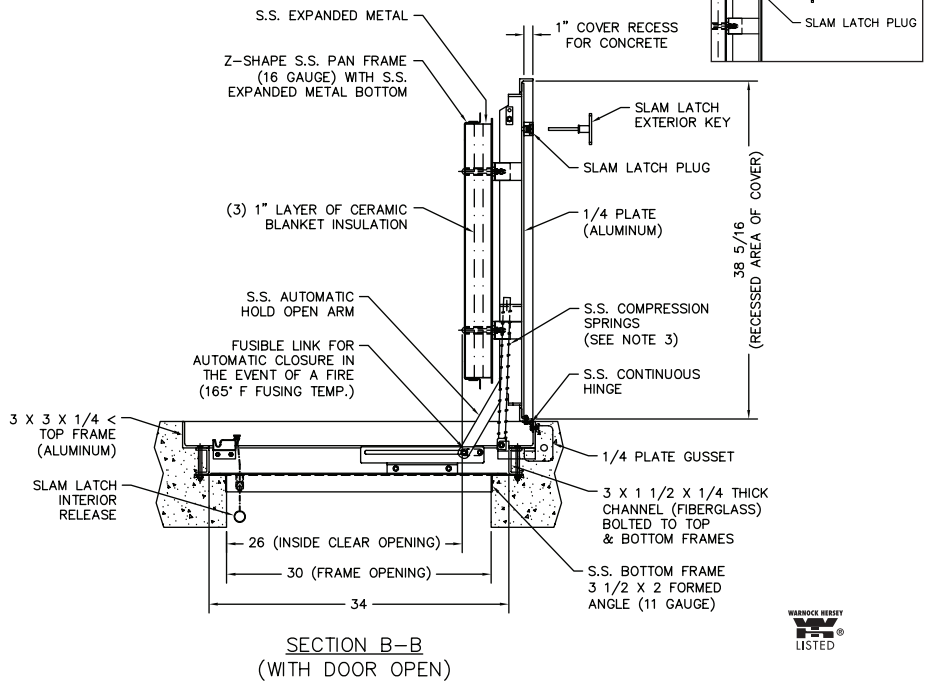
Flooring: Recessed for thicker architectural flooring (ceramic, stone, terrazzo, etc.).

Fire Rated: Warnock Hersey tested to 2 hours rating, tested to NFPA 288 (ASTM E119).

FRONT ELEVATION



SECTION DETAIL



Item No.	Door Opening W x Hinge Side	Material	Ship Wt. Lbs.
FD-P 8550	24 x 24	Aluminum	80
FD-P 8550	24 x 36	Aluminum	140
FD-P 8550	24 x 48	Aluminum	160
FD-P 8550	30 x 30	Aluminum	130
FD-P 8550	30 x 36	Aluminum	160
FD-P 8550	36 x 36	Aluminum	190
FD-P 8550	36 x 48	Aluminum	240
FD-P 8550	42 x 42	Aluminum	250
FD-P 8550	48 x 48	Aluminum	280

* Steel available upon request.
Call for submittal sheet.

Project: _____ Date: _____

Contractor: _____ Architect: _____

Sizes: _____ Quantity: _____ Approval Initials: _____



Corporate Office: 1330 Progress Drive • Front Royal, VA 22630
Phone: 1-800-255-5515 • Fax: 1-800-822-5001

www.wbdoors.com