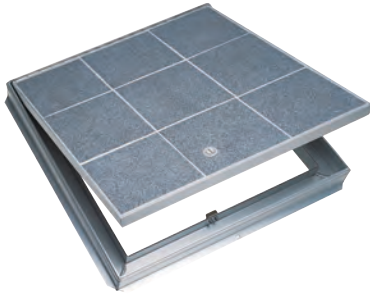


## DETAIL & SUBMITTAL SHEET

by Bilco



### SPECIFICATIONS:

**Material:** Cover and frame are 1/4" aluminum

**Cover:** Smooth plate reinforced for 150 psf (732 kg/m<sup>2</sup>) live load. Cover designed with 1" fillable pan for field installation of architectural flooring material (specify flooring material including type, thickness, and weight).

**Frame:** Extruded aluminum frame with built in anchor flange around the perimeter

**Hinges:** Continuous heavy-duty Type 316 stainless steel hinge

**Latch:** Type 316 stainless steel slam lock with fixed interior handle and removable exterior turn/lift handle. Latch release is protected by a flush, gasketed, removable screw plug.

**Lift Assistance:** Compression spring operators enclosed in telescopic tubes. Automatic hold-open arm with grip handle release

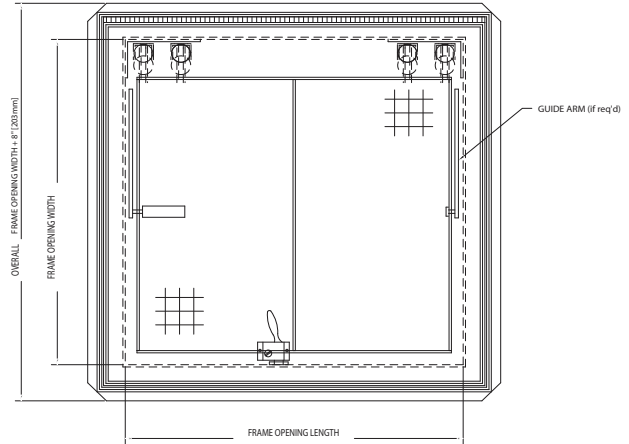
**Finish:** Mill finish aluminum with a bituminous coating applied to the exterior of the frame

**Hardware:** Engineered composite compression spring tubes. Steel compression springs with electrocoated acrylic finish. Type 316 stainless steel hinges. All other hardware is zinc plated/chromate sealed.

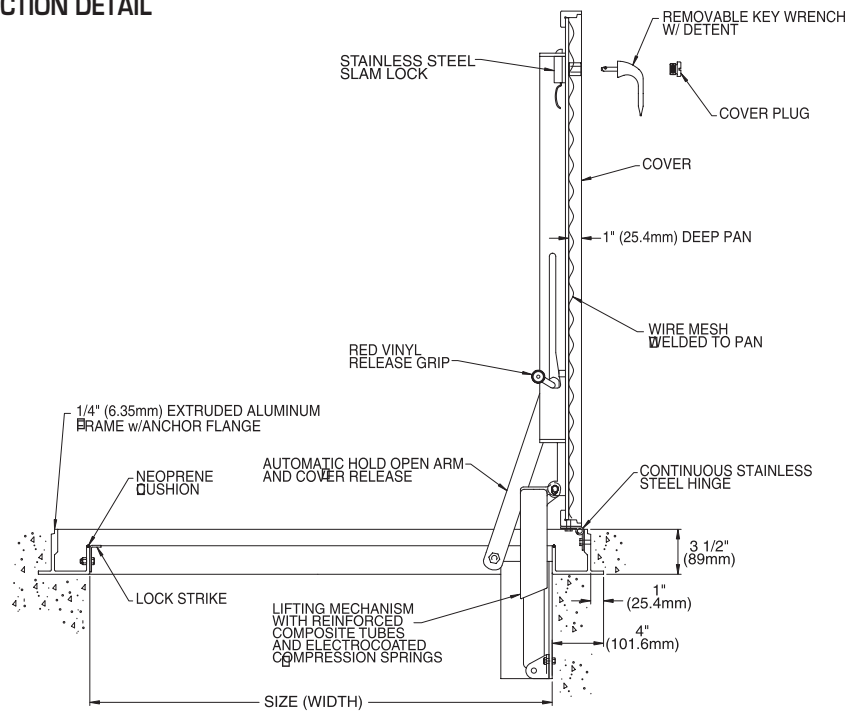
✓	Item No.	Door Opening W x H	Material	Ship Wt. Lbs.
	TER 1	24 x 24	Aluminum	100
	TER 2	30 x 30	Aluminum	110
	TER 3	36 x 30	Aluminum	120
	TER 4	36 x 36	Aluminum	130

TRD available upon request (double leaf)

### FRONT ELEVATION (Double Door)



### SECTION DETAIL



Project: \_\_\_\_\_ Date: \_\_\_\_\_

Contractor: \_\_\_\_\_ Architect: \_\_\_\_\_

Sizes: \_\_\_\_\_ Quantity: \_\_\_\_\_ Approval Initials: \_\_\_\_\_



Corporate Office: 1330 Progress Drive • Front Royal, VA 22630  
Phone: 1-800-255-5515 • Fax: 1-800-822-5001

[www.wbdoors.com](http://www.wbdoors.com)