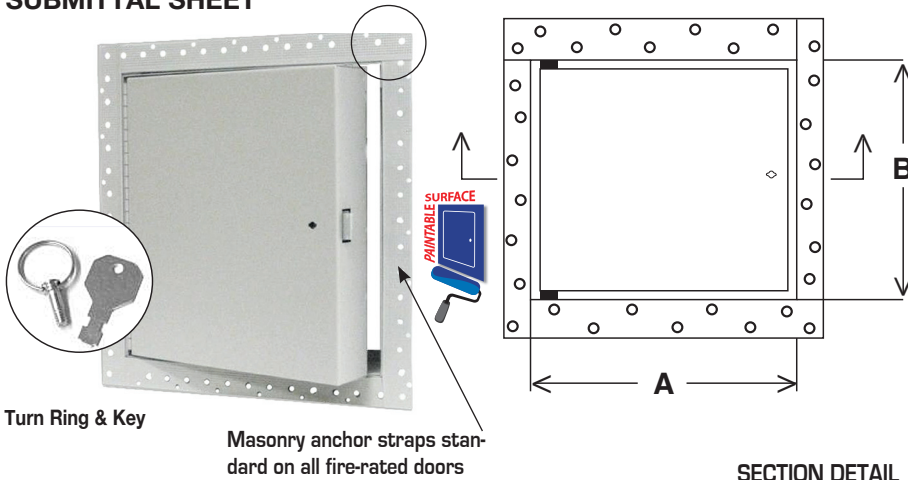


**SUBMITTAL SHEET**



Turn Ring & Key

Masonry anchor straps standard on all fire-rated doors

**SECTION DETAIL**

**Fire-rated access door for ceiling and wall installation**



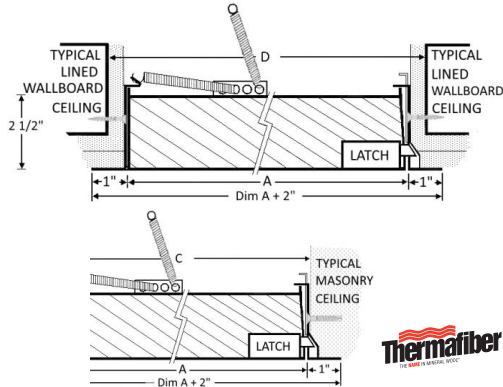
Warnock Hersey listed for ceiling installations with 3 hour non-combustible rating or 1 hour combustible rating. Test # WHI-495-PSH-0163

This product has been approved by the California State Fire Marshall (CSFM) pursuant to Section 13144.1 of the California Health and Safety Code. See CSFM Listing No 3330-1223:101 for allowable values and/or conditions for use concerning material presented in this document. It is subject reexamination, revision and possible cancellation.

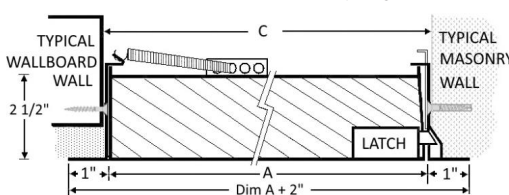
1-1/2 hour UL "B" label in a 2 hour fire barrier. Test # R13067-1

This product has been approved by the California State Fire Marshall (CSFM) pursuant to Section 13144.1 of the California Health and Safety Code. See CSFM Listing No 3330-1223:101 for allowable values and/or conditions for use concerning material presented in this document. It is subject reexamination, revision and possible cancellation.

CEILING INSTALLATION (Side View)  
Use "C" Dimension for Masonry Installation Without Wallboard Liner  
Use "D" Dimension for 5/8" Wallboard Liner of Opening on 4 Sides



WALL INSTALLATION 1-1/2 HOUR UL "B" LABEL IN A 2 HOUR FIRE BARRIER Use "C" Dimension for Installation Without Wallboard Liner Add 1-5/8" to "A" for 5/8" Wallboard Liner of Opening on 4 Sides



THIS DRAWING IS AN ILLUSTRATION ONLY - INSTALLATION CONDITIONS MAY VARY

**SPECIFICATIONS:**

- Door:** 2" thick insulated 20 ga. steel
- Trim:** 1" drywall taping bead for smooth
- Finish:** Primed white coated enamel, paintable surface
- Latches:** Universal self-latching direct action latch, turn ring and key
- Hinge:** Fully concealed, pivot rod type hinge. Allows opening to 140°
- Insulation:** 2" thick, ThermaFiber® Industrial Felt
- Ceiling Installation:** Largest size acceptable is up to and including 24" x 36"

**OPTIONS (at additional cost)**

- Finishes:**
- Stainless Steel Type 304 No. 4 Satin Finish Brushed
  - Stainless Steel Type 316 No. 4 Satin Finish Brushed
- Options: (additional cost)**
- Mortise Best Lock and locks by others
  - Hot Smoke Seal\* gasket all 4 sides
  - Special sizes available

Item No.	Door Size W x H	Wall Opening	Ultra Lock	Ship Wt. Lbs.
FR DW 825	8 x 8	8 1/4 x 8 1/4	1	8
FR DW 825	10 x 10	10 1/4 x 10 1/4	1	10
FR DW 825	12 x 12	12 1/4 x 12 1/4	1	12
FR DW 825	12 x 18	12 1/4 x 18 1/4	1	12
FR DW 825	12 x 24	12 1/4 x 24 1/4	1	19
FR DW 825	14 x 14	14 1/4 x 14 1/4	1	14
FR DW 825	16 x 16	16 1/4 x 16 1/4	1	17
FR DW 825	18 x 18	18 1/4 x 18 1/4	1	21
FR DW 825	18 x 24	18 1/4 x 24 1/4	1	26
FR DW 825	20 x 20	20 1/4 x 20 1/4	1	24
FR DW 825	20 x 24	20 1/4 x 24 1/4	1	26
FR DW 825	20 x 30	20 1/4 x 30 1/4	2	32
FR DW 825	21 x 36	21 1/4 x 36 1/4	2	37
FR DW 825	22 x 22	22 1/4 x 22 1/4	1	28
FR DW 825	22 x 24	22 1/4 x 24 1/4	1	29
FR DW 825	22 x 30	22 1/4 x 30 1/4	2	39
FR DW 825	22 x 36	22 1/4 x 36 1/4	2	47
FR DW 825	24 x 24	24 1/4 x 24 1/4	1	32
FR DW 825	24 x 30	24 1/4 x 30 1/4	2	43
FR DW 825	24 x 36	24 1/4 x 36 1/4	2	48
FR DW 825	24 x 48*	24 1/4 x 48 1/4	2	62
FR DW 825	30 x 30*	30 1/4 x 30 1/4	2	50
FR DW 825	32 x 32*	32 1/4 x 32 1/4	2	60
FR DW 825	36 x 36*	36 1/4 x 36 1/4	2	67
FR DW 825	36 x 48*	36 1/4 x 48 1/4	2	88
FR DW 825	48 x 48*	48 1/4 x 48 1/4	2	104

\* Maximum ceilings size is 24"x36"

**RELATED PRODUCTS**

**WB FR 800 Series Standard Fire-Rated**

**WB DW 400 Series Standard**



Project: \_\_\_\_\_ Date: \_\_\_\_\_  
 Contractor: \_\_\_\_\_ Architect: \_\_\_\_\_  
 Sizes: \_\_\_\_\_ Quantity: \_\_\_\_\_ App Initials: \_\_\_\_\_

Corp Off: 1330 Progress Drive • Front Royal, VA 22630 • Phone: 1-800-255-5515 • Fax: 1-800-822-5001 [www.wbdoors.com](http://www.wbdoors.com)



**Family Owned & Operated**  
Since 1990  
Selling only through distribution

See us on



Like us on



facebook.com/wbdoors