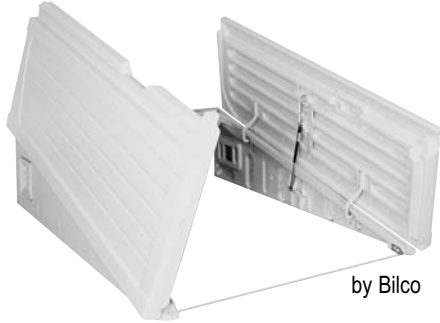


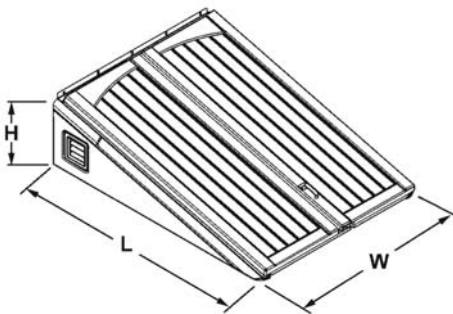
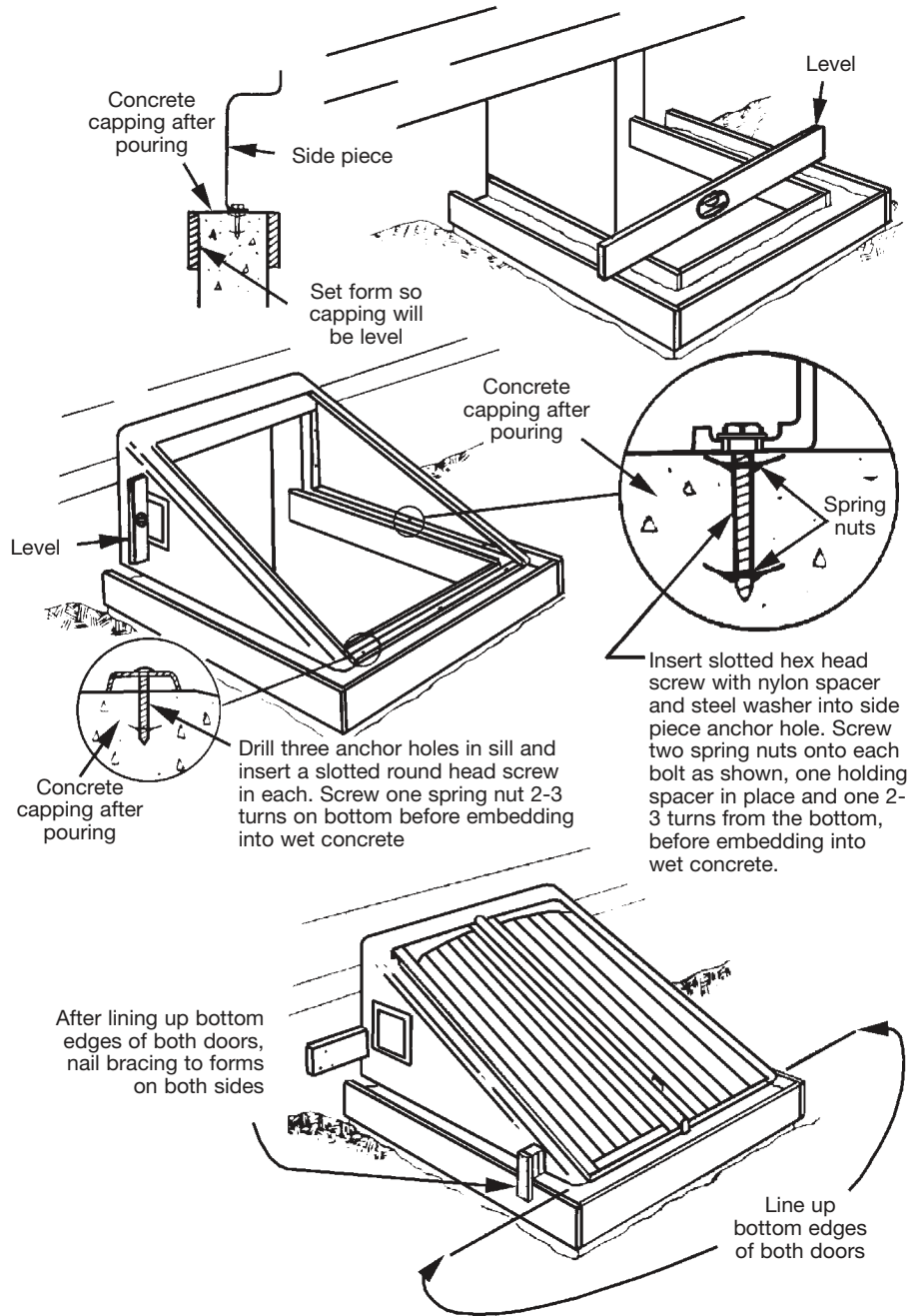
## DETAIL & SUBMITTAL SHEET



### SPECIFICATIONS:

The beauty of a wooden door, without the work. Made from high-density polyethylene and engineered to exacting specifications, the Ultra Series door provides safe and code-compliant basement access, weather-tight performance and easy operation—all with virtually no maintenance. By Bilco

- Corrosion-resistant high-density polyethylene construction
- Simulated wood design
- Pleasing driftwood color
- Will not rust and never needs painting
- Interchangeable side panel inserts allow you to add light and/or ventilation to your basement areaway
- Gas spring lift assistance for easy, one-hand operation
- Slide bolt locking mechanism (optional keyed lock available)



### OPTIONS: (AT EXTRA COST)

Keyed lock

✓	Item No.	Size in inches W x L x H
	WB Ultra C	55 x 72 x 19 1/2

Project: \_\_\_\_\_ Date: \_\_\_\_\_

Contractor: \_\_\_\_\_ Architect: \_\_\_\_\_

Sizes: \_\_\_\_\_ Quantity: \_\_\_\_\_ Approval Initials: \_\_\_\_\_



Phone: 1-800-255-5515 • Fax: 1-800-822-5001

[www.wbdoors.com](http://www.wbdoors.com)