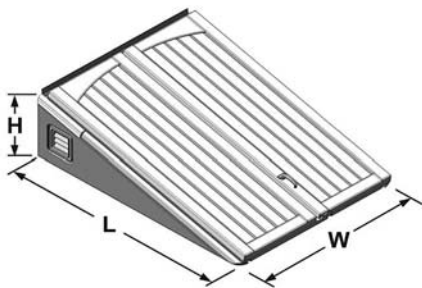


DETAIL & SUBMITTAL SHEET

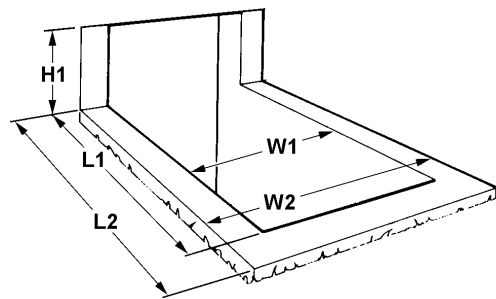
- Corrosion-resistant high-density polyethylene construction
- Simulated wood design
- Pleasing driftwood color
- Will not rust and never needs painting
- Interchangeable side panel inserts allow you to add light and/or ventilation to your basement area way
- Gas spring lift assistance for easy, one-hand operation
- Slide bolt locking mechanism (optional keyed lock available)
- Ultra Series only available in size listed



✓	Model	Size		
		W	L	H
	WB Ultra-C	55" x 72" x 19 1/2"		
	6" Extension	-		
	12" Extension	-		
	Ultra Door Lock	-		



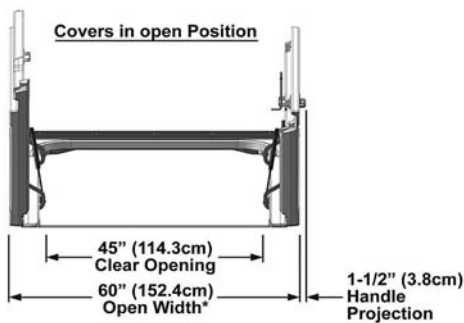
Record your foundation dimensions here



Width
 W1 + 4" = _____
 W2 = _____

Length
 L1 + 2" = _____
 L2 = _____

Height
 H1 = _____



Follow the instructions below to calculate the proper size door for your areaway. An electronic version of this sizing guide is also available at www.bilco.com. Please contact Bilco if you are unable to find a standard door to fit your areaway.

Ultra Series and Classic Series Sided Doors

1. Discard your old door and measure (in inches) the dimensions of the areaway foundation.
2. Measure dimension W1, the inside width, and dimension W2, the outside width of the areaway foundation walls. Record your dimensions and make the calculation shown.
3. Measure dimension L1, the inside length, and dimension L2, the outside length of the areaway foundation walls. Record your dimensions and make the calculation shown.
4. Measure dimension H1, the height from the top of the areaway foundation to the top of the opening in the house foundation.
5. Select the door from the table to the right with a width between W1 and W2 and length between L1 and L2.

by Bilco

Project: _____ Date: _____

Contractor: _____ Architect: _____

Sizes: _____ Quantity: _____ Approval Initials: _____



Corporate Office: 1330 Progress Drive • Front Royal, VA 22630
 Phone: 1-800-255-5515 • Fax: 1-800-822-5001

www.wbdoors.com