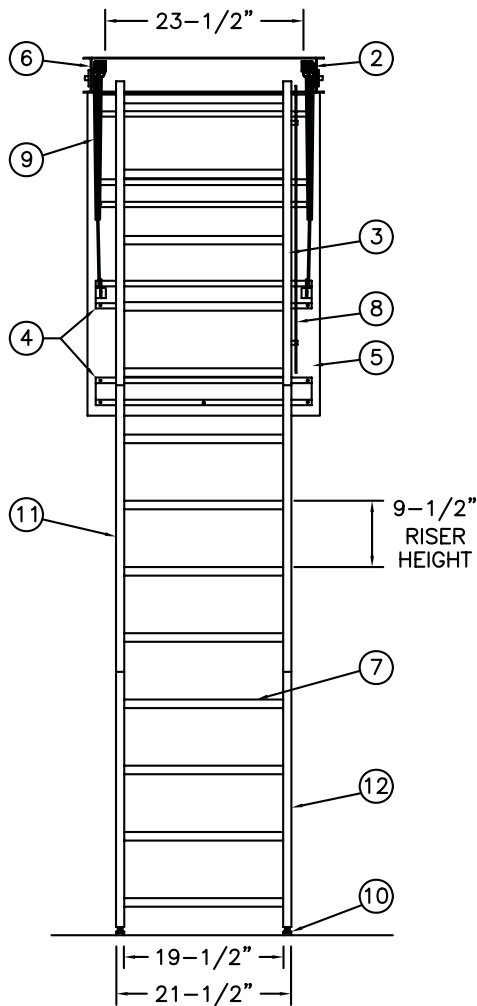
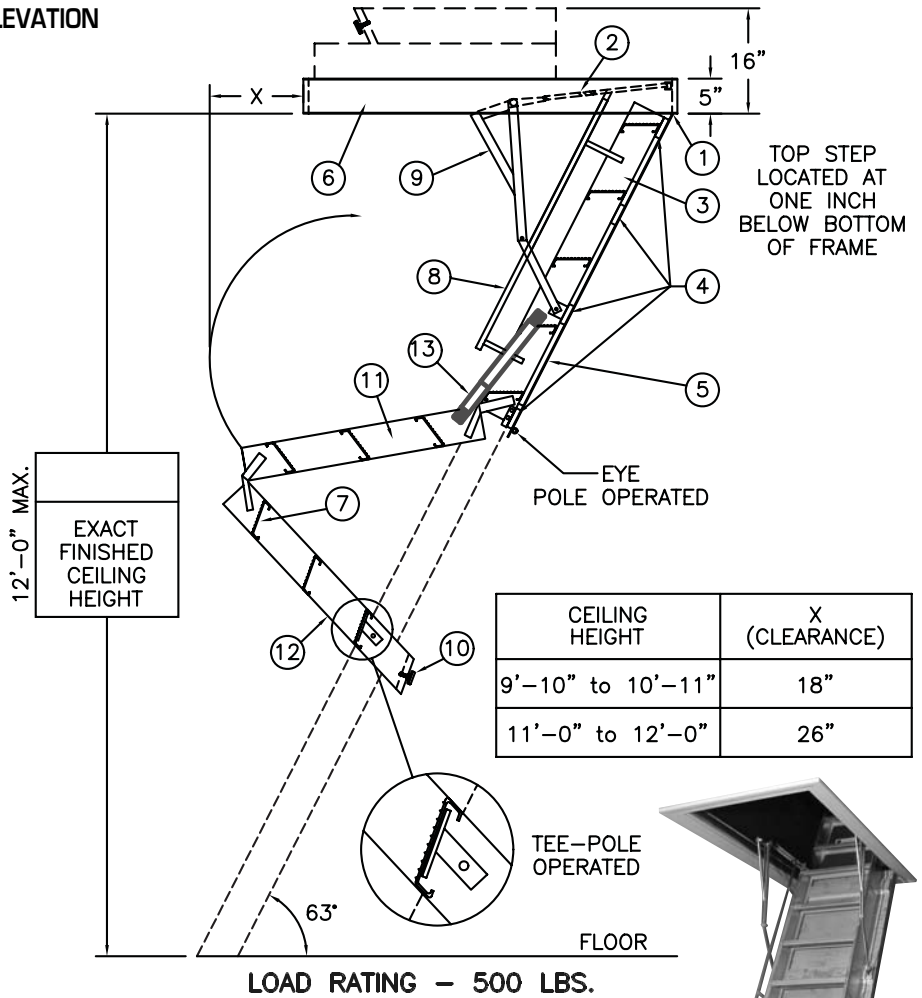


## DETAIL & SUBMITTAL SHEET



### ELEVATION



### LADDER LEGEND

#### SPECIFICATIONS:

- Customized construction for any job
- Cut to the exact finished ceiling height
- Meets requirements of A.N.S.I. A14.9-2004 for "Commercial" or "Residential" use
- Test weight of 500 Lbs
- Individual tread test weights of 1000 Lbs
- Actual shear of rivets tested to 1175 Lbs
- Steel frame
- Extruded aluminum treads and side rails
- 5 3/16" x 19 1/2" clear tread area
- Ceiling heights up to 13' 6"

#### OPTIONS:

- Non-Rated
- Rated with 2 hour fire-rating for ceilings up to 13' 6"
- Lock on door panel (std on fire-rated unit)
- Special deep frame to accommodate dropped ceiling finishes (on non-rated units only)
- 2 hour fire-rated Warnock Hersey label that meets ASTM-E-119 and UBC 43-7 requirements, passed 250° temperature rise in the first 30 minutes
- Fold-Assist: (STD on units 9'-10' and taller)

1. STEEL PIANO DOOR HINGE
2. DOUBLE SPRING ACTION
3. SIDE RUNNER 5" ALUM.
4. BATTEN 1/8" ALUM.
5. DOOR PANEL 1/8" ALUM.
6. STEEL BOX FRAME
7. TREAD (SERRATED ALUM.)
8. HANDRAIL BOTH SIDES
9. EXTRA HEAVY OPERATING ARM
10. ADJUSTABLE FOOT
11. MIDDLE SECTION
12. BOTTOM SECTION
13. FOLD-ASSIST

Introducing Our New Disappearing Attic or Roof Access Ladder. By **Precision Ladders, LLC**



Project: \_\_\_\_\_ Date: \_\_\_\_\_

Contractor: \_\_\_\_\_ Architect: \_\_\_\_\_

Sizes: \_\_\_\_\_ Quantity: \_\_\_\_\_ Approval Initials: \_\_\_\_\_



Phone: 1-800-255-5515 • Fax: 1-800-822-5001

[www.wbdoors.com](http://www.wbdoors.com)

Call for pricing.