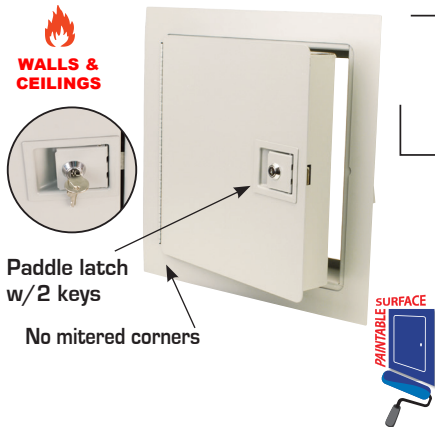
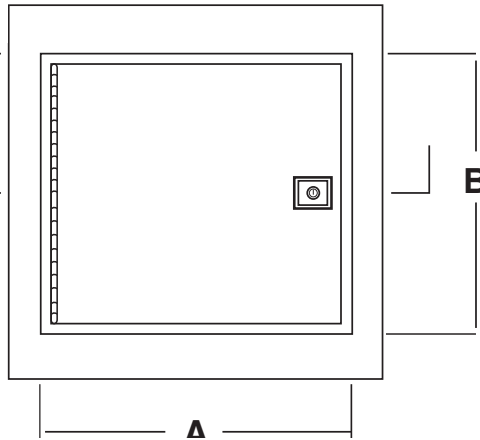


SUBMITTAL SHEET



FRONT ELEVATION



SECTION DETAIL

SPECIFICATIONS:

- Door: 20 ga. steel
- Trim: 16 ga. steel, 2 1/2" deep
- Finish: Primed white baked enamel, **paintable surface**
- Latches: Self-latching keyed cylinder paddle latch. 2 keys per door keyed alike
- Hinge: Continuous piano type hinge. Allows opening to 140°
- Insulation: 2" thick mineral wool
- Ceiling Installation: Largest size acceptable is 24" x 36"

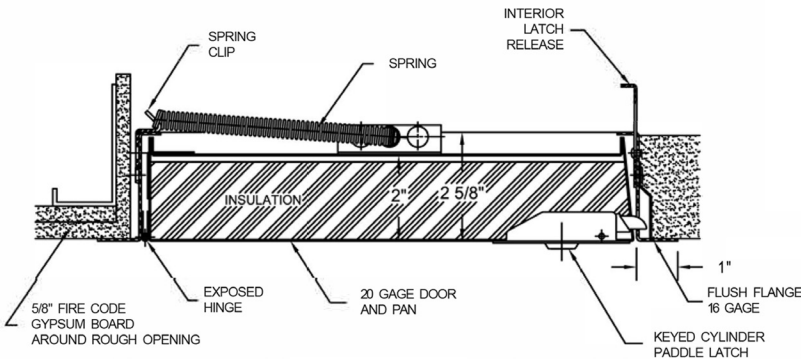
OPTIONS (at additional cost)

- Finishes:**
- Stainless Steel Type 304 No. 4 Satin Finish Brushed
 - Stainless Steel Type 316 No. 4 Satin Finish Brushed
- Options: (additional cost)**
- Hot Smoke Seal* gasket all 4 sides
 - Special sizes available
 - _____

Fire-rated access door for ceiling and wall installation

UL US *UL, Northbrook, IL - 1-1/2 hour "B" label for vertical wall installations only. Test file number R-10364. This door may be used in a two hour fire rated wall assembly*

WARNOCK HERSEY *Warnock Hersey International; 3 hour fire rated ceiling assembly.*



NOTE: For fire-rated ceiling access doors, on size 16" x 16" and larger, extra spring supplied with door must be attached from back of door pan to framing or floor above. In horizontal (ceiling) applications door has self-assisted closing.

✓	Model No.	Door Size W x H	Wall Opening	Ultra Lock	Ship Wt. Lbs.
	FRU 810	8 x 8	8 3/8 x 8 3/8	1	7
	FRU 810	12 x 12	12 3/8 x 12 3/8	1	10
	FRU 810	12 x 24	12 3/8 x 24 3/8	1	16
	FRU 810	14 x 14	14 3/8 x 14 3/8	1	13
	FRU 810	16 x 16	16 3/8 x 16 3/8	1	15
	FRU 810	18 x 18	18 3/8 x 18 3/8	1	20
	FRU 810	22 x 22	22 3/8 x 22 3/8	1	24
	FRU 810	22 x 30	22 3/8 x 30 3/8	2	28
	FRU 810	22 x 36	22 3/8 x 36 3/8	2	35
	FRU 810	24 x 24	24 3/8 x 24 3/8	1	27
	FRU 810	24 x 30	24 3/8 x 30 3/8	2	33
	FRU 810	24 x 36	24 3/8 x 36 3/8	2	41
	FRU 810	24 x 48*	24 3/8 x 48 3/8	2	49
	FRU 810	30 x 30*	30 3/8 x 30 3/8	2	38
	FRU 810	32 x 32*	32 3/8 x 32 3/8	2	42
	FRU 810	36 x 36*	36 3/8 x 36 3/8	2	52
	FRU 810	36 x 48*	36 3/8 x 48 3/8	2	62
	FRU 810	48 x 48*	48 3/8 x 48 3/8	2	89

* Wall installation only

* Hot Smoke Seal™ fire tested: Listed to meet the requirements of standards UL10B, UL10C, UBC 7-2, Part 1 and BS476: 1987 for application to fire rated door assemblies. Tested for smoke controlled assemblies: Listed to meet the requirements of standards UL1784, NFPA 105, UBC 7-2, Part 2, and BS476:Part 31, Section 31.1:1983.

Industrial insulation for optimal **fire protection** (rated noncombustible by NFPA Standard 220 when tested in accordance with ASTM E136 and withstands ASTM E119) and **superior sound control** USG tested per ASTM C165: 8 pcf STC 15-2" thickness

Project: _____ Date: _____

Contractor: _____ Architect: _____

Sizes: _____ Quantity: _____ App Initials: _____

1330 Progress Drive • Front Royal, VA 22630 • Phone: 1-800-255-5515 • www.wbdoors.com

RELATED PRODUCTS

WB FR 800 Series Standard Fire-Rated

