

**SUBMITTAL SHEET**

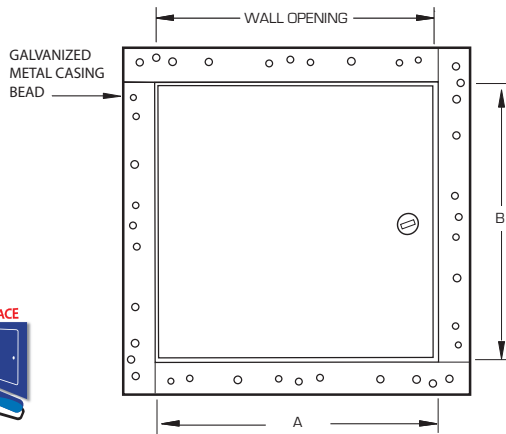
**WALLS & CEILINGS**



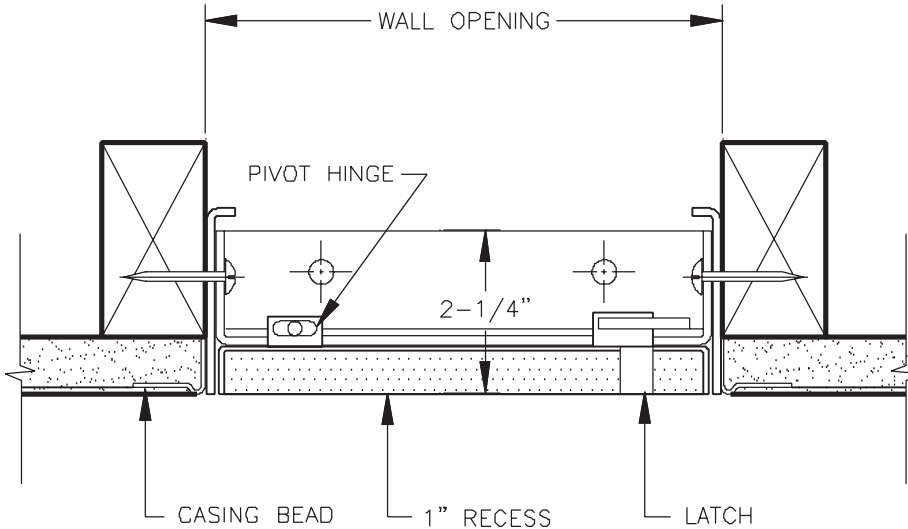
Drywall bead supplied by



**FRONT ELEVATION**



**SECTION DETAIL**



**SPECIFICATIONS:**

**Door:** 14 ga. steel, 5/8" recessed depth to accommodate drywall

**Trim:** 16 ga. steel. These models have a 1" wide perforated flange of 24 ga. galvanized steel for mounting purposes.

**Hinge:** Concealed pivot rod

**Latches:** Flush, stainless steel cam latch

**Finish:** Primed white baked enamel, **paintable surface**

**OPTIONS (at additional cost)**

**Finishes:**

- Stainless Steel Type 304 No. 4 Satin Finish Brushed
- Stainless Steel Type 316 No. 4 Satin Finish Brushed

**Options: (additional cost)**

- WB Cylinder lock, 2 keys per door, keyed alike
- 5/8" Gypsum Board installed (RDW 410 - 2)
- Weather resistive neoprene gasket all 3 sides [Closed cell sponge, blend of Neoprene/EPDM/SBR. Meets ASTM D-1056: SCE 41, RE 41, 2A1; substrate UL 94HF-1 recognized]

Special sizes available

✓	Model No.	Door Size W x H	Wall Opening	Cam Latches	Ship Wt. Lbs.
	RDW 410	6 x 6	6 1/4 x 6 1/4	1	4
	RDW 410	8 x 8	8 1/4 x 8 1/4	1	5
	RDW 410	12 x 12	12 1/4 x 12 1/4	3	8
	RDW 410	12 x 14	12 1/4 x 14 1/4	3	9
	RDW 410	16 x 16	16 1/4 x 16 1/4	3	13
	RDW 410	18 x 18	18 1/4 x 18 1/4	3	14
	RDW 410	24 x 24*	24 1/4 x 24 1/4	4	24

\* Available upon request

\*\* Walls only

Our recessed drywall door gives the option of installing a matching piece of drywall into the door panel thus keeping the continuity of the visual area.

Project: \_\_\_\_\_ Date: \_\_\_\_\_  
 Contractor: \_\_\_\_\_ Architect: \_\_\_\_\_  
 Sizes: \_\_\_\_\_ Quantity: \_\_\_\_\_ App Initials: \_\_\_\_\_

1330 Progress Drive • Front Royal, VA 22630 • Phone: 1-800-255-5515 • [www.wbdoors.com](http://www.wbdoors.com)

**RELATED PRODUCTS**

**WB DW 400 Series for Drywall**



**Family Owned & Operated**  
 Since 1990

