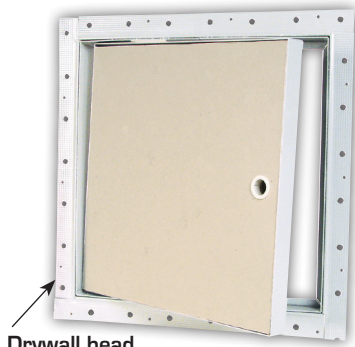


SUBMITTAL SHEET

WALLS & CEILINGS

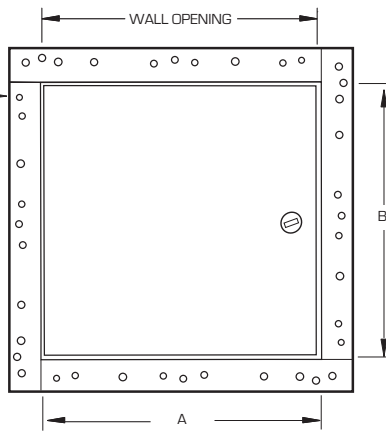


Drywall bead supplied by

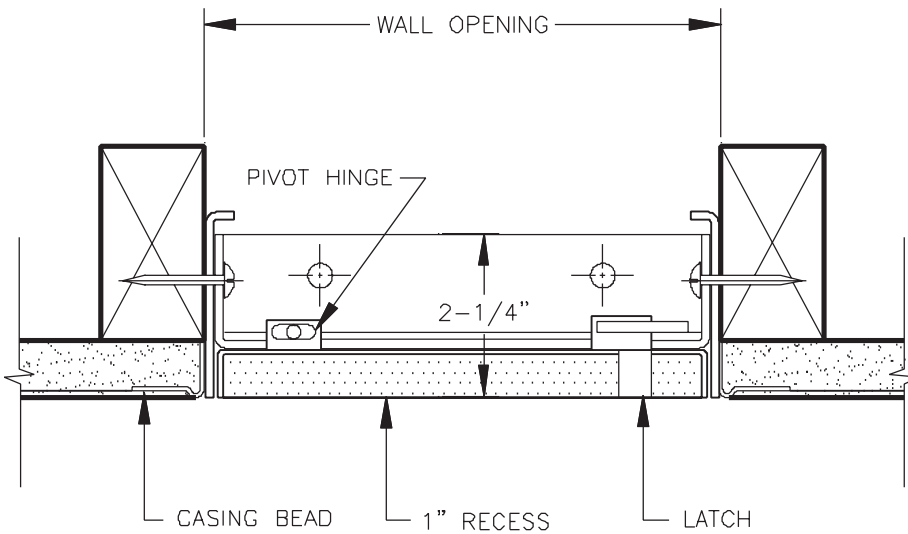


GALVANIZED METAL CASING BEAD
 PAINTABLE SURFACE
 5/8" Gypsum board pre-installed, save time & labor. Ready to use out of box.

FRONT ELEVATION



SECTION DETAIL



SPECIFICATIONS:

Door: 14 ga. steel, 5/8" recessed depth to accommodate drywall

Trim: 16 ga. steel. These models have a 1" wide perforated flange of 24 ga. galvanized steel for mounting purposes.

Hinge: Concealed pivot rod

Latches: Flush, stainless steel cam latch

Finish: Primed white baked enamel, paintable surface

OPTIONS (at additional cost)

Finishes:

- Stainless Steel Type 304 No. 4 Satin Finish Brushed
- Stainless Steel Type 316 No. 4 Satin Finish Brushed

Options: (additional cost)

- Key cylinder locks
- Weather resistive neoprene gasket all 3 sides [Closed cell sponge, blend of Neoprene/EPDM/SBR. Meets ASTM D-1056: SCE 41, RE 41, 2A1; substrate UL 94HF-1 recognized]
- Special sizes available

✓ Model No.	Door Size W x H	Wall Opening	Cam Latches	Ship Wt. Lbs.
RDW 410-2	6 x 6	6 1/4 x 6 1/4	1	4
RDW 410-2	8 x 8	8 1/4 x 8 1/4	1	5
RDW 410-2	12 x 12	12 1/4 x 12 1/4	3	8
RDW 410-2	12 x 14	12 1/4 x 14 1/4	3	9
RDW 410-2	16 x 16	16 1/4 x 16 1/4	3	13
RDW 410-2	24 x 24*	24 1/4 x 24 1/4	4	24

* Walls only

Our recessed drywall door with pre-installed 5/8" Gypsum board gives the option of a matching piece of drywall in the door panel thus reducing installation time on the job site.

Project: _____ Date: _____
 Contractor: _____ Architect: _____
 Sizes: _____ Quantity: _____ App Initials: _____

1330 Progress Drive • Front Royal, VA 22630 • Phone: 1-800-255-5515 www.wbdoors.com



RELATED PRODUCTS

WB DW 400 Series for Drywall

