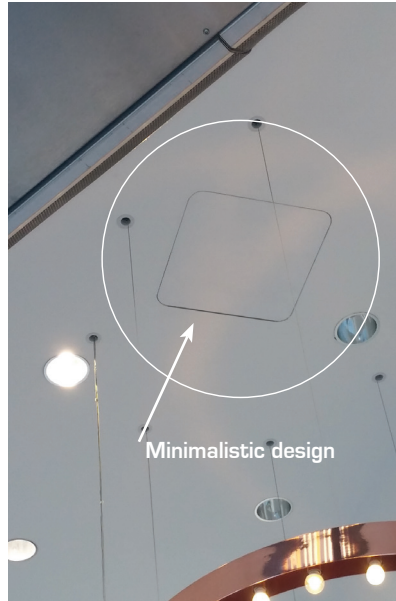
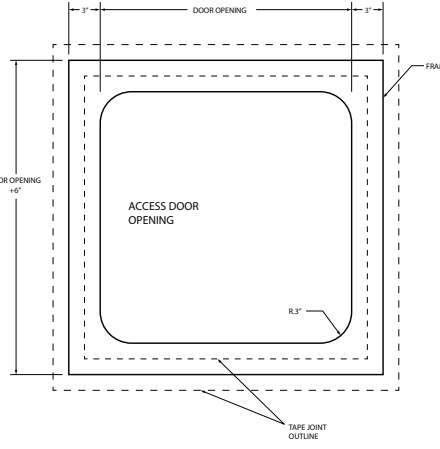
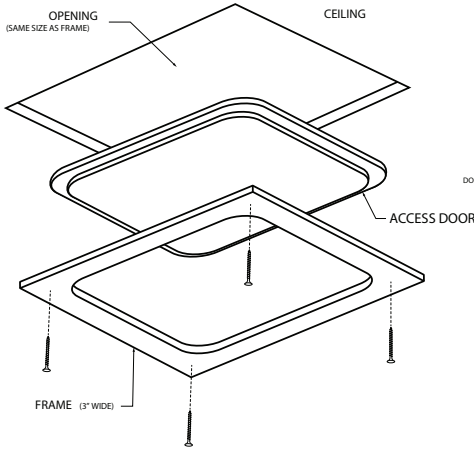


SUBMITTAL SHEET

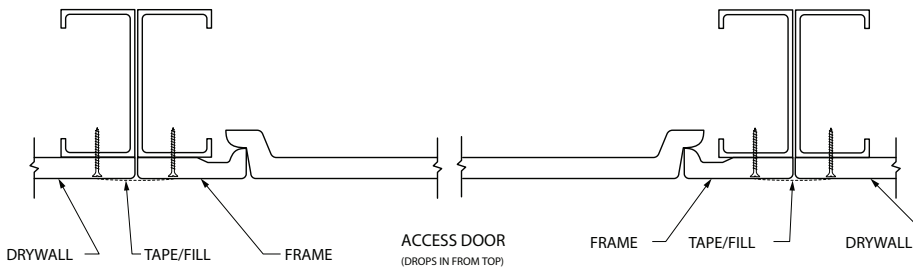
CEILING ONLY



FRONT ELEVATION



SECTION DETAIL



MSDS: Per OSHA HazCom per 29 CFR 1910.1200(b)(6)(iv): "Article" means a manufactured item other than a fluid or particle: (i) which is formed to a specific shape or design during manufacture; (ii) which has end use function(s) dependent in whole or in part upon its shape or design during end use; and (iii) which under normal conditions of use does not release more than very small quantities, e.g., minute or trace amounts of a hazardous chemical (as determined under paragraph (d) of this section), and does not pose a physical hazard or health risk to employees.

Project: _____ Date: _____
 Contractor: _____ Architect: _____
 Sizes: _____ Quantity: _____ App Initials: _____

1330 Progress Drive • Front Royal, VA 22630 • Phone: 1-800-255-5515 • www.wbdoors.com

SPECIFICATIONS:

Glass-Fiber-Reinforced Gypsum (GFRG) ceiling panel, specified for residential and commercial applications where discreet, concealed access is desired. Showcasing a stealth appearance in your space with a lightweight, tapered edge design that blends in seamlessly with surrounding ceiling or wall systems. Williams Brothers offers a range of access opening sizes for both interior and exterior installation.

Door & Trim: Glass-Fiber-Reinforced-Gypsum (GFRG) based design can't rust and blends seamlessly with new or retrofitted drywall ceilings. The design of the panel ensures that your aesthetic style is noticed, and not your access panels.

Finish: Unpainted natural GFRG, **paintable surface**

Physical Properties: 1/8" to 3/16" shell thickness, Fastener test pull out (wood studs: 525 lbs. avg. and metal studs: 215 lbs. avg.). Fasteners push thru test: 350 lbs avg. Fuel Contribution (ASTM E84-80): 0. Flame spread (ASTM E84-80): 0, Combustion (ASTM E84-80): non-combustible. Non-rated.

Ceiling Installation: Access panels installed with standard supplies; screws are #6 buglehead, and joints use standard tape and joint compound. Substrate material is determined by the job-site.

OPTIONS (at additional cost)

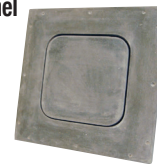
- Hinged (GY 3100, visit our website for submittal)
- Gasketed on 4 sides (GY 3101, visit our website for submittal)

✓	Model No.	Door Opening	Rough Opening	Ship Wt. Lbs.
	GY 3000	9 x 9	15 x 15	2.5
	GY 3000	12 x 12	18 x 18	5
	GY 3000	16 x 16	22 x 22	8.5
	GY 3000	18 x 18	24 x 24	10
	GY 3000	24 x 24	30 x 30	13
	GY 3000	30 x 30	36 x 36	15

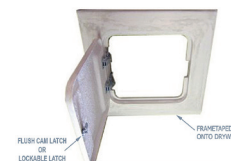
Custom sizes available upon request.

RELATED PRODUCTS

WB EXT GY 3050 Series GFRG Hinged Ceiling Panel



WB GY 3100 Series GFRG Hinged Ceiling Panel



WBdoors.com
 BuyOnline
 WBCA 2019