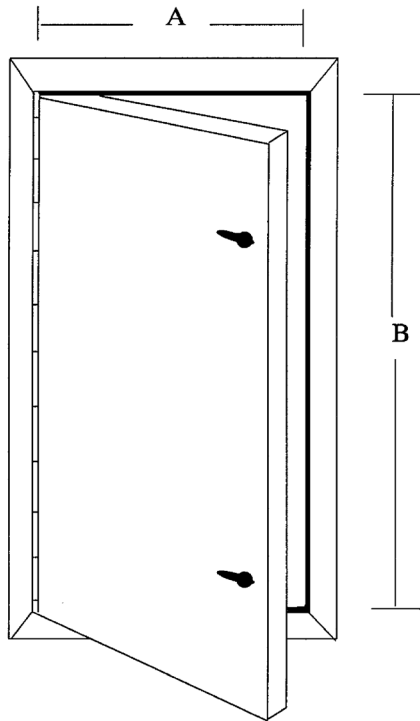


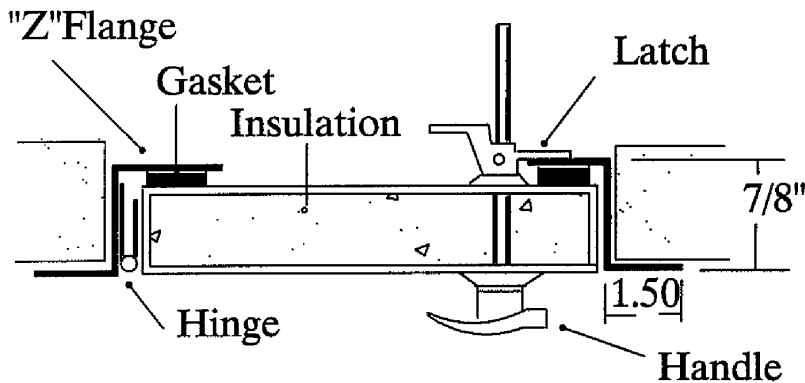
**SUBMITTAL SHEET**



**FRONT ELEVATION**



**SECTION DETAIL**



**SPECIFICATIONS:**

**Door:** 20 ga. galvanized steel, double wall

**Trim:** 16 ga. galvanized steel

**Insulation:** 1" thick 3lb. density insulation

**Gasket:** 1/2" wide neoprene closed cell door to frame gasket

**Latch:** 2 exterior latches with interior handles

**OPTIONS (at additional cost)**

**Finishes:**

Stainless Steel Type 316 No. 4 Satin Finish Brushed

**Options: (additional cost)**

Extra latches

12" x 12" View Port

Keyed latches

✓	Model No.	Opening* W x H
	WIN 1700	18 x 36
	WIN 1700	18 x 48
	WIN 1700	24 x 36
	WIN 1700	24 x 48
	WIN 1700	24 x 54
	WIN 1700	24 x 60
	WIN 1700	24 x 66
	WIN 1700	24 x 72
	WIN 1700	30 x 36
	WIN 1700	30 x 48
	WIN 1700	30 x 54
	WIN 1700	30 x 60
	WIN 1700	30 x 66
	WIN 1700	30 x 72

\*Door size is 1/4" smaller from opening.  
 All sizes available only by special order

Project: \_\_\_\_\_ Date: \_\_\_\_\_  
 Contractor: \_\_\_\_\_ Architect: \_\_\_\_\_  
 Sizes: \_\_\_\_\_ Quantity: \_\_\_\_\_ App Initials: \_\_\_\_\_

1330 Progress Drive • Front Royal, VA 22630 • Phone: 1-800-255-5515 • [www.wbdoors.com](http://www.wbdoors.com)



**Family Owned & Operated**  
 Since 1990



**BuyOnline**  
 WBCA 2019