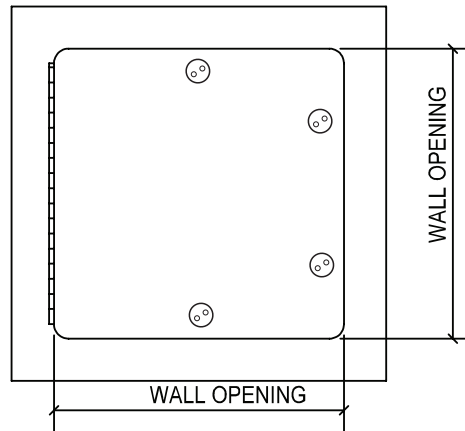


SUBMITTAL SHEET

WALLS & CEILINGS

FRONT ELEVATION



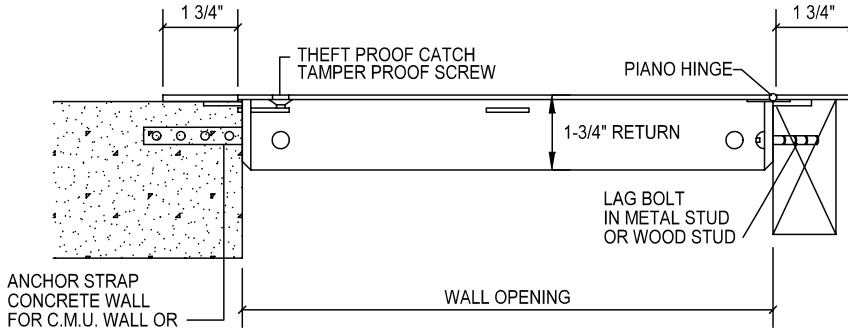
SPECIFICATIONS:

- Door:** 12 ga. steel.
- Trim:** 16 ga. steel.
- Hinge:** Semi-concealed piano hinge. Allows opening to 180°.
- Anchors:** Heavy steel, welded to frame.
- Lock:** Counter sunk tamperproof screws
- Finish:** Primed white baked enamel, **paintable surface**

OPTIONS (at additional cost)

- Finishes:**
- Stainless Steel Type 304 No. 4 Satin Finish Brushed
 - Stainless Steel Type 316 No. 4 Satin Finish Brushed
- Options: (additional cost)**
- Mortise lock and locks by others
 - WB Key Cylinder Locks - keyed alike 2 keys per door
 - Weather resistive neoprene gasket all 4 sides (Closed cell sponge, blend of Neoprene/EPDM/SBR. Meets ASTM D-1056: SCE 41, RE 41, 2A1; substrate UL 94HF-1 recognized)
 - Special sizes available
 - _____

SECTION DETAIL



✓	Model No.	Door Size W x H	Wall Opening	Tamper Proof Screws	Ship Wt. Lbs.
	MD SEC 1000	12 x 12	12 1/4 x 12 1/4	3	22
	MD SEC 1000	16 x 16	16 1/4 x 16 1/4	3	31
	MD SEC 1000	18 x 18	18 1/4 x 18 1/4	3	36
	MD SEC 1000	24 x 24	24 1/4 x 24 1/4	4	52
	MD SEC 1000	24 x 36	24 1/4 x 36 1/4	4	73
	MD SEC 1000	36 x 36	36 1/4 x 36 1/4	5	103
	WB-23	Snake eye screwdriver			

Tamper proof snake-eye screws **WB-11B**

A special snake eye screwdriver is required to open this door



This door assures medium security whenever it is necessary under institutional conditions. Most detention buildings and mental care facilities require access to vital services in or behind walls, shafts and stairwells.

Project: _____ Date: _____
 Contractor: _____ Architect: _____
 Sizes: _____ Quantity: _____ App Initials: _____

1330 Progress Drive • Front Royal, VA 22630 • Phone: 1-800-255-5515 • www.wbdoors.com

RELATED PRODUCTS

WB HG SEC 1100 Series High Security Access Door



WBdoors.com
 BuyOnline
 WBCA 2019