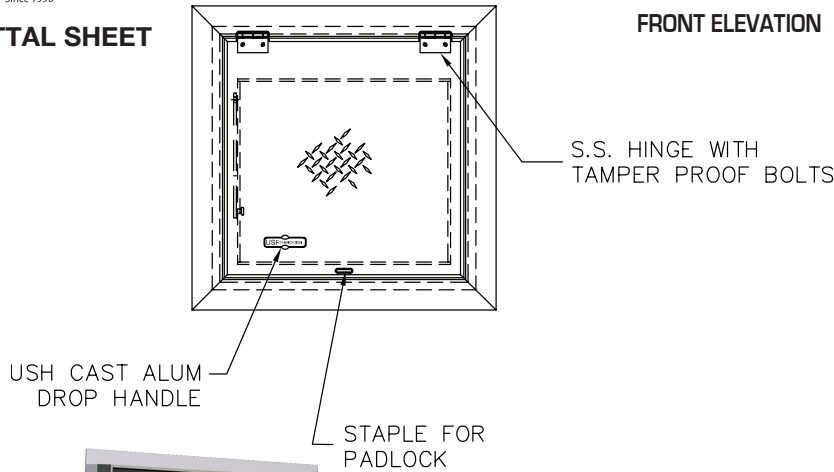
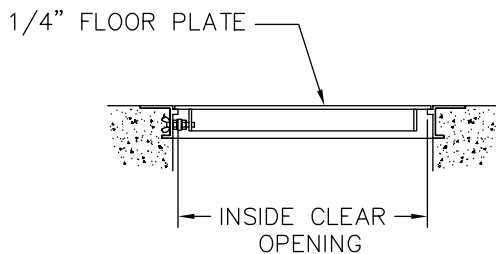
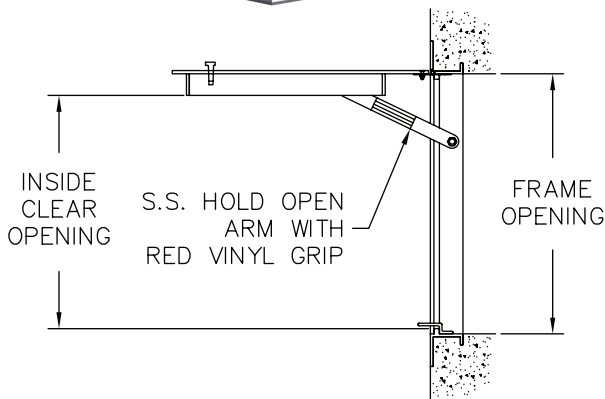


SUBMITTAL SHEET

FRONT ELEVATION



SECTION DETAIL



SPECIFICATIONS:

Cover: 1/4" (4.8mm) aluminum diamond plate cover reinforced for 300 psf live load. Equipped with cast aluminum flush lifting handle and 316 stainless steel hold-open arm with red vinyl grip that automatically keeps the cover in its open/upright position.

Frame: Extruded aluminum with integral anchor flange and door seat on all four sides.

Hardware: 316 stainless steel hinges and tamper resistant bolts/lock nuts.

Security: Includes an exposed staple for user-supplied padlock.

Finish: Aluminum cover and frame have mill finish which is protected during shipping and installation by an attached adhesive-backed vinyl material.

Installation: Installation shall be in accordance with the manufacturer's instructions.

OPTIONS (at additional cost)

- Steel
- Double door
- Special sizes available upon request

Model No.	Size (inches) W x L	Ship Wt. Lbs.
APS 8100	24 x 24	40
APS 8100	24 x 30	50
APS 8100	24 x 36	55
APS 8100	30 x 30	55
APS 8100	30 x 48	80
APS 8100	36 x 30	65
APS 8100	36 x 36	75
APS 8100	36 x 48	90
APS 8100	42 x 42	95

**Double door available upon request.
 Steel available upon request.
 Call for submittal sheet.**

Project: _____ Date: _____
 Contractor: _____ Architect: _____
 Sizes: _____ Quantity: _____ App Initials: _____

1330 Progress Drive • Front Royal, VA 22630 • Phone: 1-800-255-5515 • www.wbdoors.com