

SUBMITTAL SHEET

FRONT ELEVATION

SPECIFICATIONS:

Cover: 1/4" Aluminum diamond plate reinforced for 150 psf [732 kg/m²] live load.

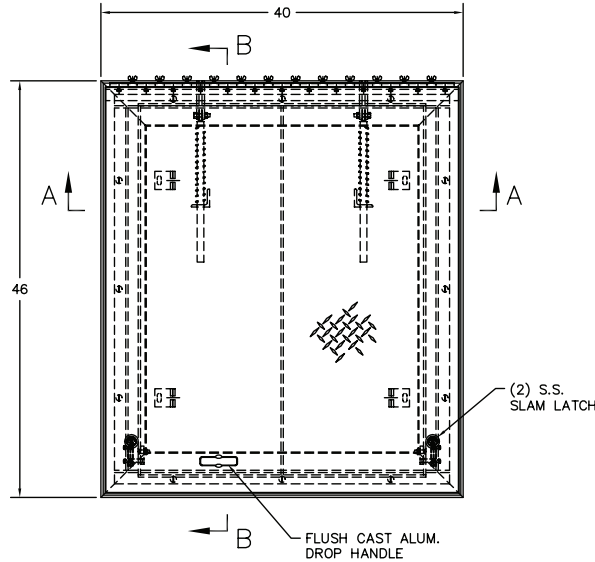
Frame: Thermal-break frame with aluminum upper frame and stainless steel lower frame.

Hardware: Stainless steel spring assist, 316 stainless steel hardware, 316 stainless steel hold open arm.

Closing Mechanism: UL-listed 165° fusible link for automatic closing and latching in event of fire and stainless steel latches with inside release mechanism.

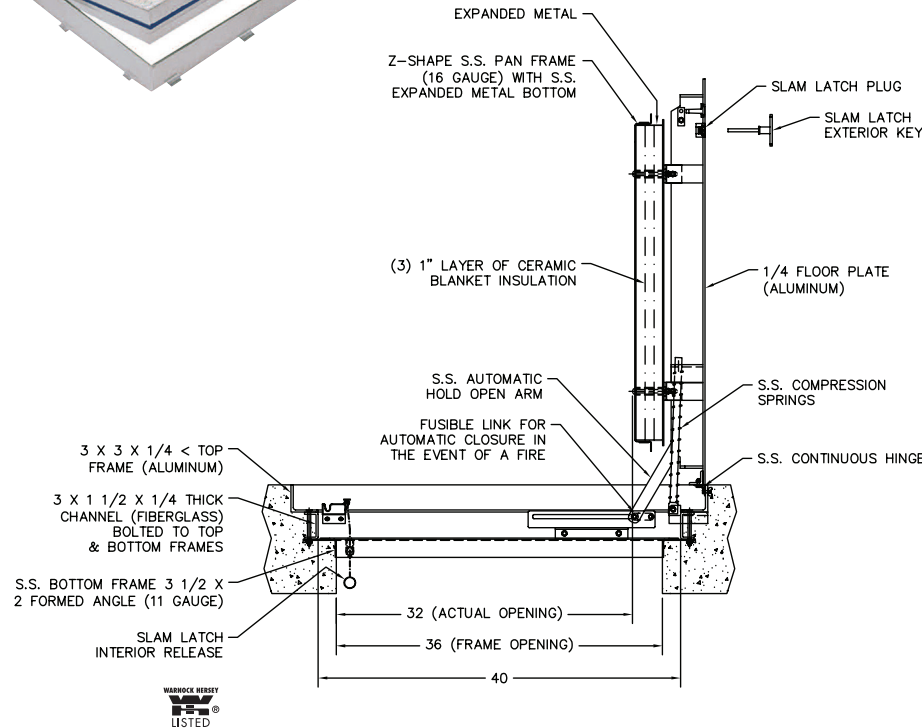
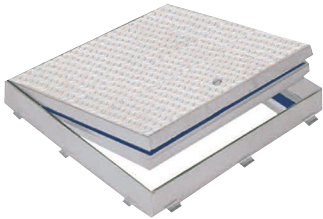
Latch: Dual stainless steel slam latches.

Fire Rated: Warnock Hersey tested to 2 hours rating, tested to NFPA 288 (ASTM E119).



PLAN VIEW OF HATCH
 (INSULATION PAN NOT SHOWN FOR CLARITY)

SECTION DETAIL



Model No.	Size (inches) W x L	Ship Wt. Lbs.
FD-8500	24 x 24	36
FD-8500	24 x 36	63
FD-8500	24 x 48	73
FD-8500	30 x 30	59
FD-8500	30 x 36	73
FD-8500	36 x 36	86
FD-8500	36 x 48	109
FD-8500	42 x 42	113
FD-8500	48 x 48	127

**Steel available upon request.
 Call for submittal sheet.**

Project: _____ Date: _____
 Contractor: _____ Architect: _____
 Sizes: _____ Quantity: _____ App Initials: _____

1330 Progress Drive • Front Royal, VA 22630 • Phone: 1-800-255-5515 • www.wbdoors.com



Family Owned & Operated
 Since 1990



BuyOnline
 WBCA 2019