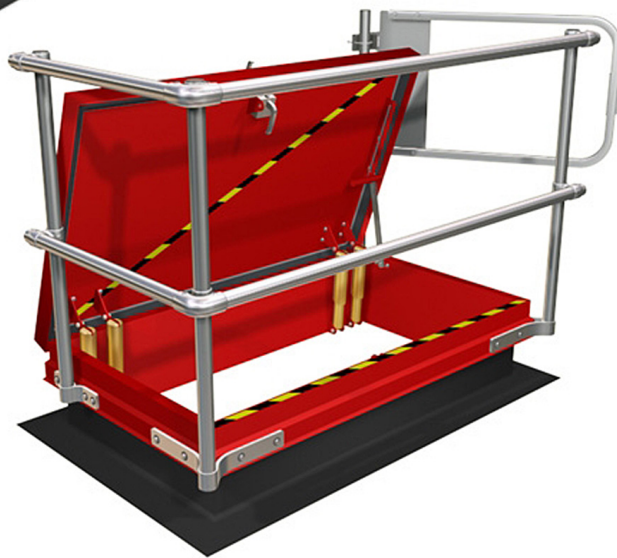


SUBMITTAL SHEET



Shown with optional gate



Fastclip attachment



Universal base and drop-in fitting

SPECIFICATIONS:

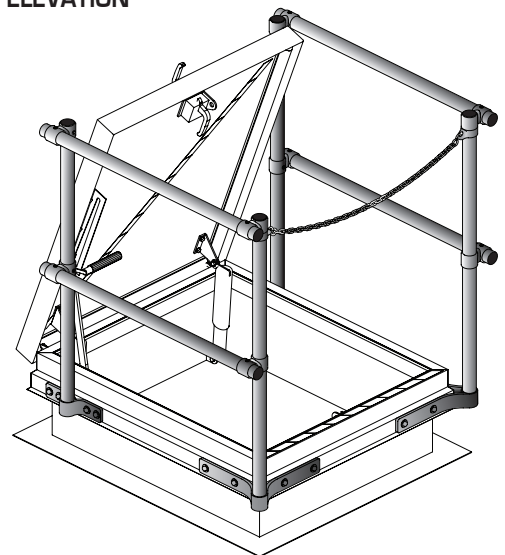
- Finish:** Galvanized (hot dipped). Available in aluminum
- Chain System:** 3/16" proof coil ASTM specification, zinc plated with quick link and "S" hook
- Self closing gate:** (optional to chain) Manufacturer's standard spring or gravity operated
- Pipe plug:** Weather and light resistant for pipe ends
- Bolts:** Hex head bolts 3/8", grade Z, zinc plated with manufacturer's standard washers inside and outside
- Railing fittings:** Manufacturer's standard cast fittings, galvanized
- Sealant for brackets:** Manufacturer's standard

OPTIONS (at additional cost)

- Self closing gate
- Chain system

✓	Model No.	Size in Inches\ W x L	Ship Wt. Lbs.
	WB-RHSR-SS	36 X 30	87
	WB-RHSR-AL	36 X 30	35
	WB-RHSR-FB	30 X 54	-

ELEVATION



Project: _____ Date: _____
 Contractor: _____ Architect: _____
 Sizes: _____ Quantity: _____ App Initials: _____

1330 Progress Drive • Front Royal, VA 22630 • Phone: 1-800-255-5515 • www.wbdoors.com



Family Owned & Operated
 Since 1990

