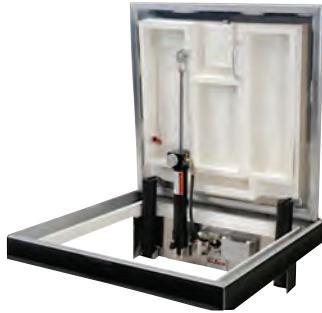
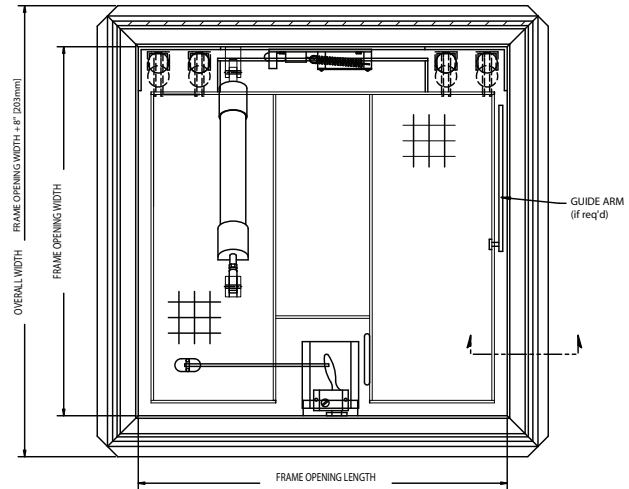


## DETAIL & SUBMITTAL SHEET

by Bilco



**FRONT ELEVATION**



**SPECIFICATIONS:**

**Material:** Cover and frame are 1/4" aluminum

**Cover:** Aluminum plate reinforced for 150 psf (732 kg/m<sup>2</sup>) live load. Intumescent fire coating applied to the underside of the cover. Designed with 1" (25 mm) fillable pan for field installation of architectural flooring material up to 1/2" (13 mm) thickness (specify flooring material including type, thickness, and weight). The remaining depth must be filled with concrete to maintain the fire rating of the door assembly (if finish floor is not desired, the pan must be filled with 1" (25 mm) of concrete)

**Frame:** Extruded aluminum frame with built in anchor flange around the perimeter. Intumescent fire coating applied on the interior surfaces of the frame

**Hinges:** Continuous heavy-duty Type 316 stainless steel hinge

**Latch:** Pneumatic self closing system that automatically closes the door in the event of a fire when heat parts a UL-listed 165° F (74° C) fusible link

**Lift Assistance:** Compression spring operators enclosed in telescopic tubes. Mechanical hold-open system with release button automatically holds the cover in the open position

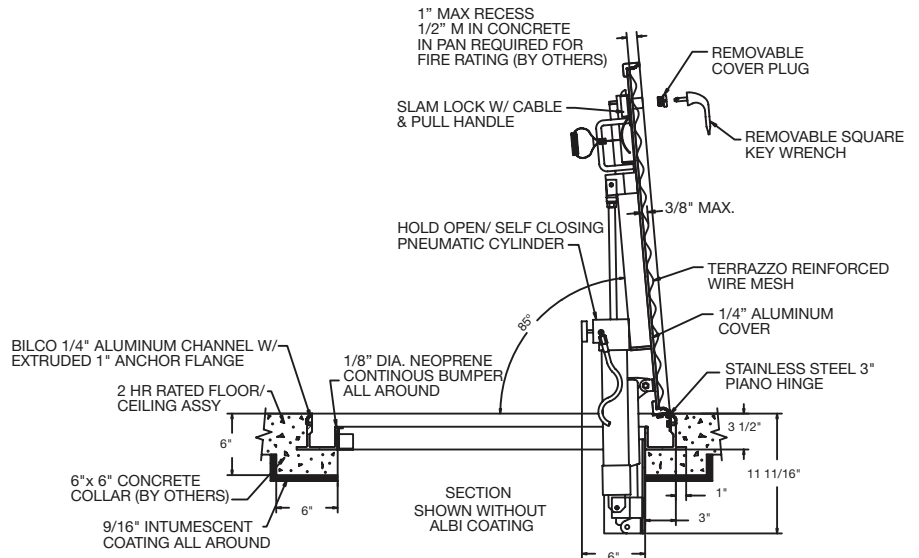
**Performance Ratings:** Tested in accordance with ASTM E119, NFPA 251, BS476: Part 22 and UL-listed (File R15197) as having a 2-hour fire rating when exposed to fire from the underside.

**Compliance:** Self-closing mechanism complies with ASTM E119, NFPA 80, NFPA 251 and BS476: Part 22

**Finish:** Mill finish aluminum with a bituminous coating applied to the exterior of the frame

**Hardware:** Engineered composite compression spring tubes. Steel compression springs with electrocoated acrylic finish. Type 316 stainless steel hinges. All other hardware is zinc plated/chromate sealed.

**SECTION DETAIL**



✓	Item No.	Door Opening W x H	Material	Ship Wt. Lbs.
	FR 2	30 x 30	Aluminum	271
	FR 3	36 x 30	Aluminum	277
	FR 4	36 x 36	Aluminum	326
	FR 5	42 x 42	Aluminum	368
	FR 6	30 x 48	Aluminum	328

**FRLC available upon request if closing mechanism is not required by local fire authorities having jurisdiction**

Maintains the fire rating of a 2-hour floor ceiling assembly where access is required between building floors. Fire rated floor door features include an automatic closing system, intumescent fire resistant coating, and a pan cover designed to accept architectural flooring materials. Available in single-leaf aluminum construction.

Project: \_\_\_\_\_ Date: \_\_\_\_\_

Contractor: \_\_\_\_\_ Architect: \_\_\_\_\_

Sizes: \_\_\_\_\_ Quantity: \_\_\_\_\_ Approval Initials: \_\_\_\_\_



Corporate Office: 1330 Progress Drive • Front Royal, VA 22630  
Phone: 1-800-255-5515 • Fax: 1-800-822-5001

[www.wbdoors.com](http://www.wbdoors.com)