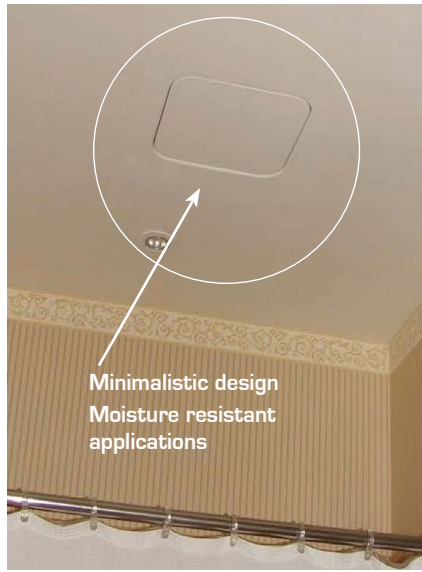
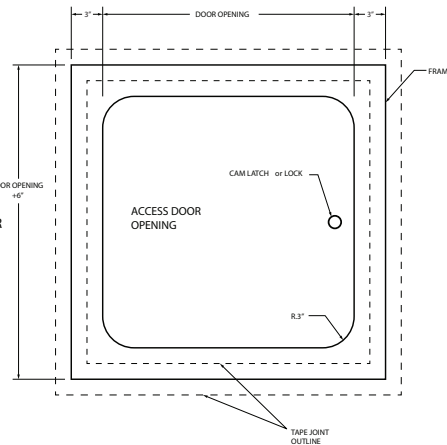
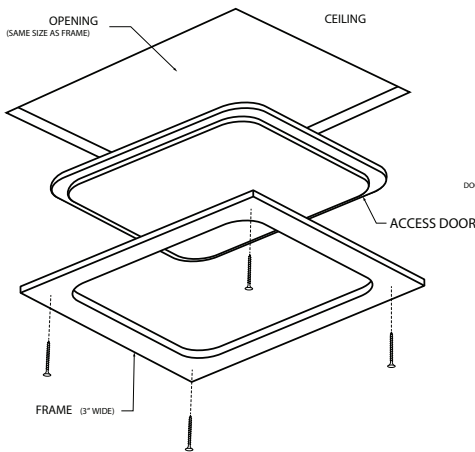


SUBMITTAL SHEET

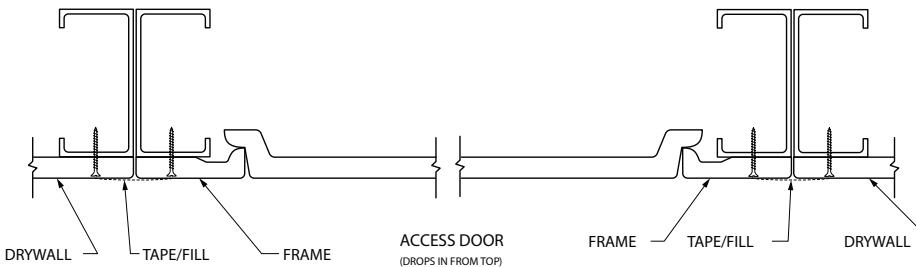
CEILING ONLY



FRONT ELEVATION



SECTION DETAIL



MSDS: Per OSHA HazCom per 29 CFR 1910.1200(b)(6)(iv): "Article" means a manufactured item other than a fluid or particle: (i) which is formed to a specific shape or design during manufacture; (ii) which has end use function(s) dependent in whole or in part upon its shape or design during end use; and (iii) which under normal conditions of use does not release more than very small quantities, e.g., minute or trace amounts of a hazardous chemical (as determined under paragraph (d) of this section), and does not pose a physical hazard or health risk to employees.

Project: _____ Date: _____
 Contractor: _____ Architect: _____
 Sizes: _____ Quantity: _____ App Initials: _____

1330 Progress Drive • Front Royal, VA 22630 • Phone: 1-800-255-5515 • www.wbdoors.com

SPECIFICATIONS:

Glass-Fiber-Reinforced Gypsum (GFRG) ceiling panel, specified for residential and commercial applications where discreet, concealed access is desired. Showcasing a stealth appearance in your space with a lightweight, tapered edge design that blends in seamlessly with surrounding ceiling systems.

Door & Trim: Glass-Fiber-Reinforced-Gypsum (GFRG) based design can't rust and blends seamlessly with new or retrofitted drywall ceilings. Includes rubber gasket on all 4 sides to ensure the panel is moisture resistant.

Finish: Unpainted natural GFRG, **paintable surface**

Physical Properties: 1/8" to 3/16" shell thickness, Fastener test pull out (wood studs: 525 lbs. avg. and metal studs: 215 lbs. avg.). Fasteners push thru test: 350 lbs avg. Fuel Contribution (ASTM E84-80):0. Flame spread (ASTM E84-80): 0, Combustion (ASTM E84-80): non-combustible. Non-rated.

Ceiling Installation: Access panels installed with standard supplies; screws are #6 buglehead, and joints use standard tape and joint compound. Substrate material is determined by the job-site.

OPTIONS (at additional cost)

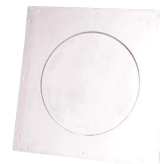
Hinged

✓	Model No.	Door Opening	Rough Opening	Ship Wt. Lbs.
	GY 3101	9 x 9	15 x 15	2.5
	GY 3101	12 x 12	18 x 18	5
	GY 3101	16 x 16	22 x 22	8.5
	GY 3101	18 x 18	24 x 24	10
	GY 3101	24 x 24	30 x 30	15

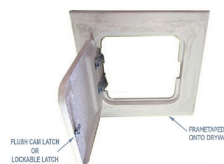
Custom sizes available upon request.

RELATED PRODUCTS

WB EXT GY 3250 Series Round GFRG Panel



WB GY 3100 Series GFRG Hinged Ceiling Panel



Family Owned & Operated
 Since 1990



BuyOnline
 WBCA 2019