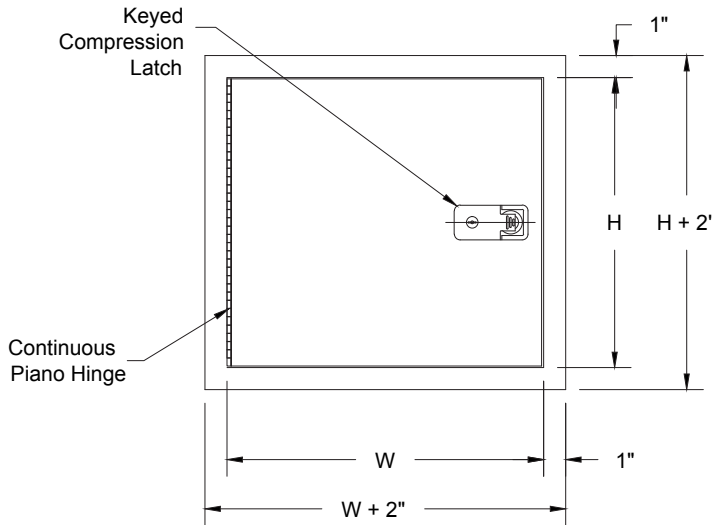


SUBMITTAL SHEET

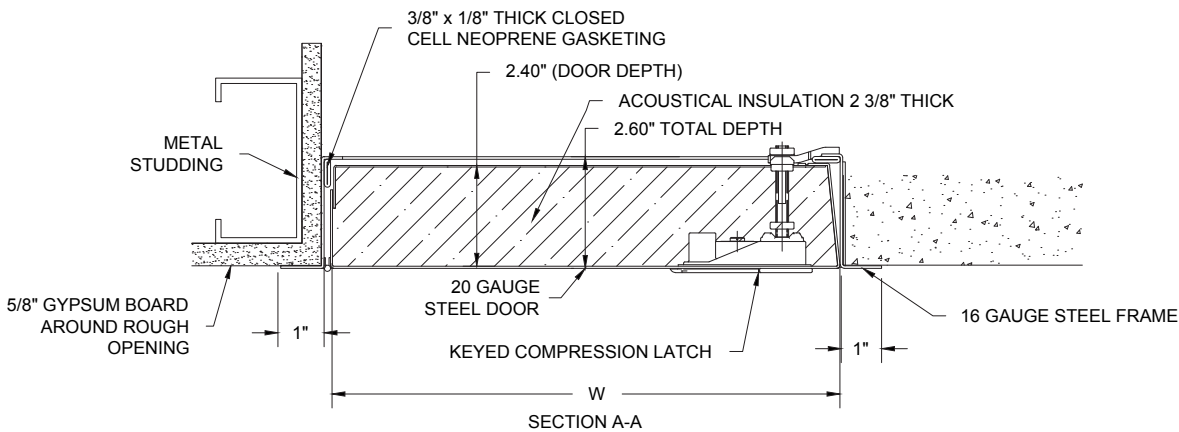
WALLS & CEILING



FRONT ELEVATION



SECTION DETAIL



SPECIFICATIONS:

- Door:** 20 ga. steel
- Trim:** 16 ga. steel, 1" wide
- Finish:** Prime coat of rust inhibitive electrostatic powder, white baked enamel, **paintable surface**. Stainless steel available in No. 4 finish
- Latches:** Compression latch finished in chrome with cup sealed gasket, keyed
- Hinges:** Continuous piano hinge
- Insulation:** Acoustical insulation, 2 3/8" x 1/8" thick
- Gasket:** Between door and frame 3/8" wide x 1/8" thick closed cell neoprene gasketing
- Application:** For interior use

OPTIONS (at additional cost)

- Stainless steel No. 4 finish
- Special sizes available
- _____

✓	Model No.	Door Opening	Rough Opening	Ship Wt. Lbs.
	STC 650	12 x 12	12 3/8 x 12 3/8	6.3
	STC 650	18 x 18	18 3/8 x 18 3/8	10.5
	STC 650	24 x 24	24 3/8 x 24 3/8	16

Custom sizes available upon request.

Independently tested in accordance with ASTM:E1332, ASTM: E90, and ASTM: E413, and rated of STC 64 when installed according to manufacture's instruction.

Project: _____ Date: _____
 Contractor: _____ Architect: _____
 Sizes: _____ Quantity: _____ App Initials: _____

1330 Progress Drive • Front Royal, VA 22630 • Phone: 1-800-255-5515 • Fax: 1-800-822-5001 www.wbdoors.com

RELATED PRODUCTS

WB EXT 1350 Ultra Series Exterior Access Door



WB AL 1500 Series Aluminum Access Door



Family Owned & Operated
 Since 1990

