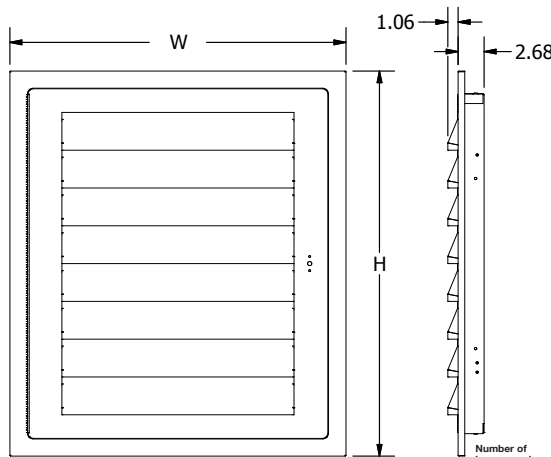


SUBMITTAL SHEET

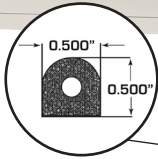
WALLS ONLY

FRONT ELEVATION

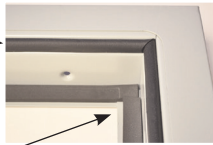


SPECIFICATIONS:

- Door:** 16 ga. steel
- Trim:** 16 ga. steel
- Finish:** Zinc dipped Primed white baked grey enamel, paintable surface
- Latches:** Chrome plated "T" type handle with pivot rod 1 point catch. [3 point catch on 18 x 18 and above]. Key cylinder lock. **Opens with the outside handle only. No interior release.**
- Hinges:** Continuous piano hinge
- Louver Guard:** Metal screen louver guard on inside of door
- Gasket:** Open celled microcellular polyurethane on inside of door and closed cell neoprene sponge SC42 W/PSA stripping gasket on the back of the door
- Application:** For exterior purposes, weather resistive



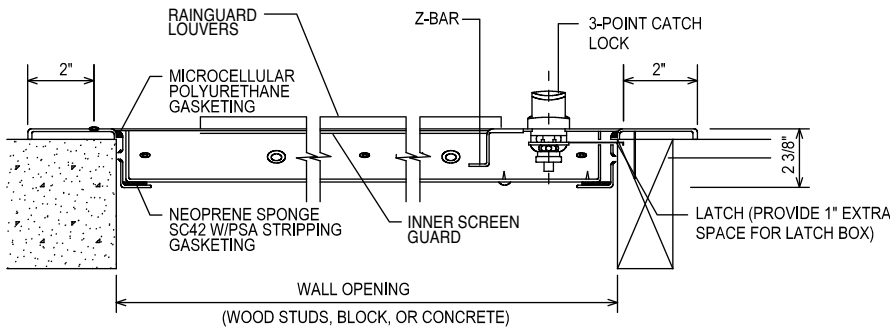
Microcellular polyurethane gasket



Neoprene sponge SC42 W/PSA stripping gasket applied on back inside edge



SECTION DETAIL



✓	Model No.	Door Size W x H	Wall Opening *	Ship Wt. Lbs.
	EXT-RG 1400	8 x 8	8 1/4 x 8 1/4	25
	EXT-RG 1400	12 x 12	12 1/4 x 12 1/4	27
	EXT-RG 1400	14 x 14	14 1/4 x 14 1/4	30
	EXT-RG 1400	16 x 16	16 1/4 x 16 1/4	35
	EXT-RG 1400	18 x 18	18 1/4 x 18 1/4	40
	EXT-RG 1400	22 x 30	22 1/4 x 30 1/4	45
	EXT-RG 1400	22 x 36	22 1/4 x 36 1/4	50
	EXT-RG 1400	24 x 24	24 1/4 x 24 1/4	55
	EXT-RG 1400	24 x 30	24 1/4 x 30 1/4	60
	EXT-RG 1400	24 x 36	24 1/4 x 36 1/4	67
	EXT-RG 1400	24 x 48	24 1/4 x 48 1/4	100
	EXT-RG 1400	30 x 30	30 1/4 x 30 1/4	65
	EXT-RG 1400	30 x 36	30 1/4 x 36 1/4	79
	EXT-RG 1400	30 x 48	30 1/4 x 48 1/4	85
	EXT-RG 1400	36 x 36	36 1/4 x 36 1/4	90

The one of a kind exterior access door is galvanized ** steel, rainguard louvers, and two types of gasket. Weather resistive open celled microcellular polyurethane gasket and closed cell neoprene sponge SC42 W/PSA stripping gasket on inside for outdoor applications [certain saltwater areas might not be compatible].

- ** **Galvanized steel:** The preferred coated steel for use in architectural applications.
- Coated in zinc, heated to over 1000° F so iron is pulled from steel.
 - Iron mixes with zinc coating, making it harder, more scratch-resistant, uniform in appearance.
 - Galvanized steel bonds better with paint, and better for welding.

Project: _____ Date: _____
 Contractor: _____ Architect: _____
 Sizes: _____ Quantity: _____ App Initials: _____

1330 Progress Drive • Front Royal, VA 22630 • Phone: 1-800-255-5515 • www.wbdoors.com

RELATED PRODUCTS

WB Exterior 1350 Ultra Series Access Door

