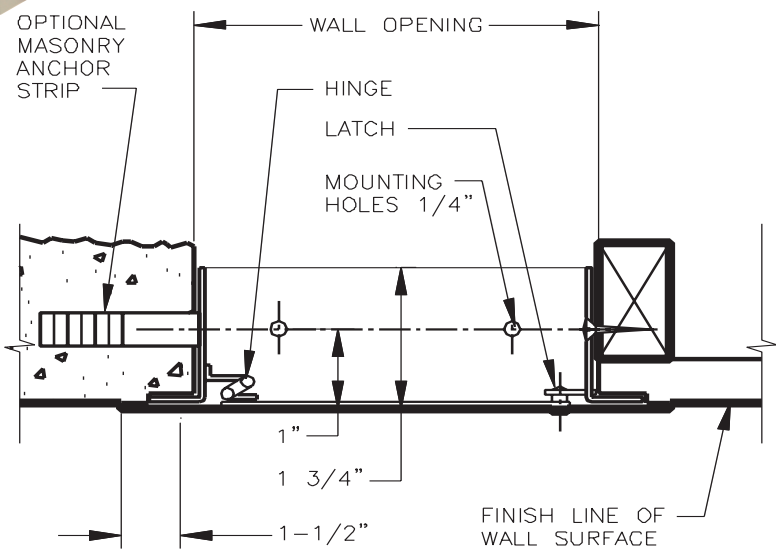
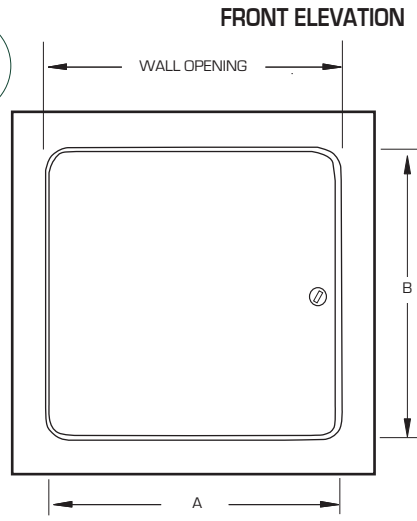
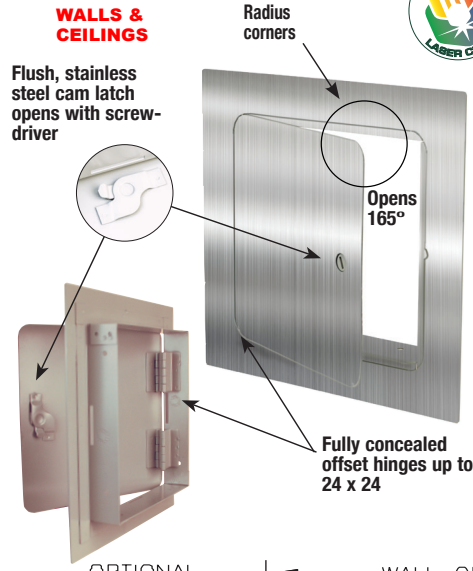


BEST in Quality! GOOD in Price!

SUBMITTAL SHEET



SPECIFICATIONS:

Door: Stainless Steel Type 304 No. 4, radius corners
Trim: Stainless Steel Type 304 No. 4
Finish: Satin Finish Brushed
Latches: Flush, stainless steel cam latch
Hinges: Fully-concealed hinge up to and including 24 x 24. Allows opening to 165°, **Over 24 x 24 is semi-concealed allowing 180°**

OPTIONS (at additional cost)

- WB Key Cylinder Locks - keyed alike 2 keys per door
- Best Mortise Best Lock or locks by others
- Louvers - 1/4, 1/2 or full louvers [see Model GP 103]
- Neoprene gasketing on 4 sides up to 24 x 24.
- Custom sizes available upon request

✓	Model No.	Door Size W x H	Wall Opening	Cam Latches	Ship Wt. Lbs.
	GP SS 100	6 x 6	6 1/4 x 6 1/4	1	4
	GP SS 100	8 x 8	8 1/4 x 8 1/4	1	5
	GP SS 100	10 x 10	10 1/4 x 10 1/4	3	6
	GP SS 100	12 x 12	12 1/4 x 12 1/4	3	8
	GP SS 100	14 x 14	14 1/4 x 14 1/4	3	10
	GP SS 100	16 x 16	16 1/4 x 16 1/4	3	13
	GP SS 100	16 x 20	16 1/4 x 20 1/4	3	16
	GP SS 100	16 x 24	16 1/4 x 24 1/4	4	17
	GP SS 100	18 x 18	18 1/4 x 18 1/4	3	14
	GP SS 100	18 x 36	18 1/4 x 36 1/4	5	29
	GP SS 100	20 x 20	20 1/4 x 20 1/4	3	17
	GP SS 100	22 x 22	22 1/4 x 22 1/4	4	22
	GP SS 100	22 x 30	22 1/4 x 30 1/4	4	25
	GP SS 100	22 x 36	22 1/4 x 36 1/4	5	32
	GP SS 100	24 x 24	24 1/4 x 24 1/4	4	24
	GP SS 100	24 x 30	24 1/4 x 30 1/4	4	27
	GP SS 100	24 x 36	24 1/4 x 36 1/4	5	35
	GP SS 100	24 x 48	24 1/4 x 48 1/4	6	43
	GP SS 100	30 x 30	30 1/4 x 30 1/4	6	32
	GP SS 100	36 x 36	36 1/4 x 36 1/4	7	44
	GP SS 100	36 x 48	36 1/4 x 48 1/4	8	57
	GP SS 100	48 x 48	48 1/4 x 48 1/4	12	70

This WB GP SS 100 precision-flush 14 gauge stainless steel general purpose access door for wall and ceiling installation is considered the best stainless steel general purpose access door on the market. This access panel far surpasses other doors. With a frame that is laser cut from one sheet of cold rolled steel and no corner mitering, this door is aesthetically preferred by architects and building professionals worldwide.

RELATED PRODUCTS



BEST in Quality! GOOD in Price!
WB GP LV 103 Series w/Louvers Access Door



BEST in Quality! GOOD in Price!
WB GP 102 Series Close Assist Premium Access Door

Project: _____ Date: _____
 Contractor: _____ Architect: _____
 Sizes: _____ Quantity: _____ App Initials: _____

1330 Progress Drive • Front Royal, VA 22630 • Phone: 1-800-255-5515 • www.wbdoors.com



Family Owned & Operated
 Since 1990

