

SUBMITTAL SHEET

WALLS & CEILINGS



SPECIFICATIONS:

Door: 18 ga. gavanized steel

Trim: 18 ga. galvanized steel. These models have a 1" wide perforated flange of 22 ga. galvanized steel expansion bead with metal lath

Hinge: Continuous gavanized piano hinge

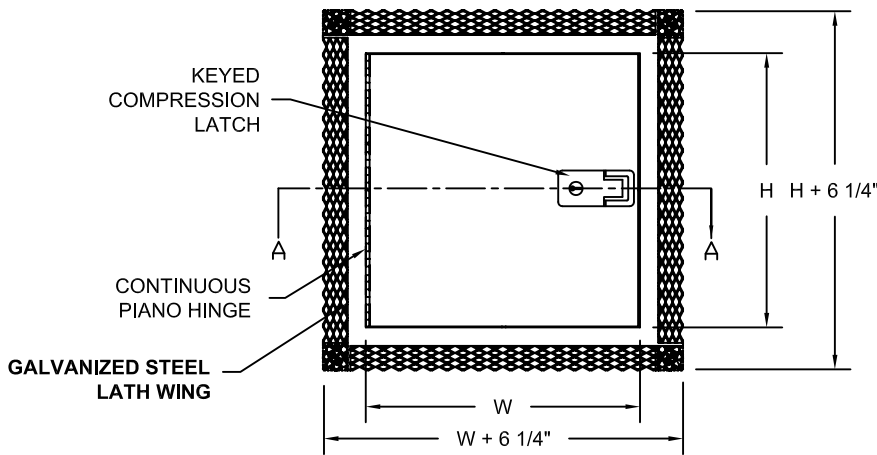
Latches: Keyed lift and turn compression latch, chrome finish

Finish: Primed white baked enamel, **paintable surface**

Options: [additional cost]

- Weather resistive neoprene gasket
- Special sizes available
- _____

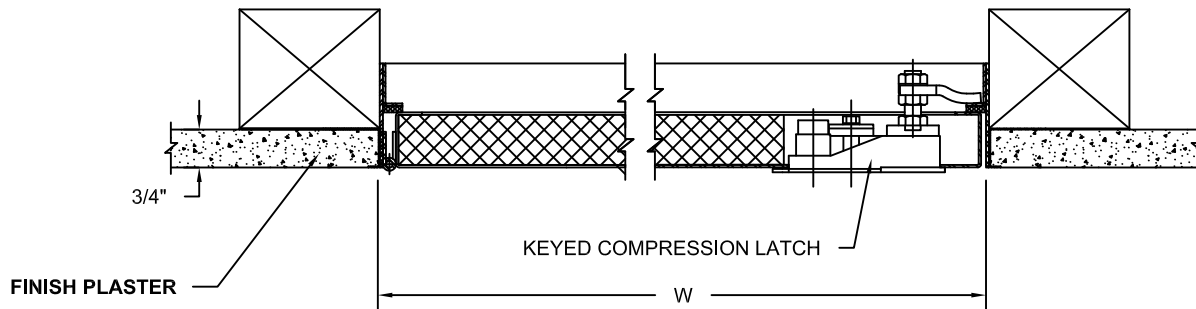
FRONT ELEVATION



✓	Model No.	Door Size W x H	Wall Opening	Cam Latches	Ship Wt. Lbs.
	EXT-PL 1450	12 x 12	12 3/8 x 12 3/8		
	EXT-PL 1450	18 x 18	18 3/8 x 18 3/8		
	EXT-PL 1450	24 x 24	24 3/8 x 24 3/8		
	EXT-PL 1450	30 x 22	30 3/8 x 22 3/8		
	EXT-PL 1450	30 x 30	30 3/8 x 30 3/8		
	EXT-PL 1450	36 x 24	36 3/8 x 24 3/8		
	EXT-PL 1450	36 x 36	36 3/8 x 36 3/8		

Custom sizes available

SECTION DETAIL



SECTION A-A

Project: _____ Date: _____
 Contractor: _____ Architect: _____
 Sizes: _____ Quantity: _____ App Initials: _____

1330 Progress Drive • Front Royal, VA 22630 • Phone: 1-800-255-5515 • www.wbdoors.com



Family Owned & Operated
 Since 1990



BuyOnline
 WBCA 2019