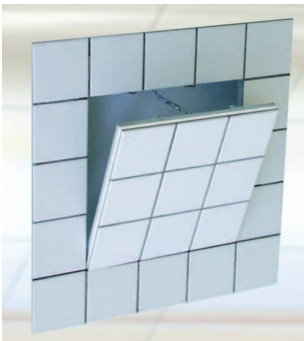


**SUBMITTAL SHEET**

**WALLS & CEILINGS**



The **WB DWAL 414** access door/panel is a recessed access door with touch latches for a tile application. This recessed access panel for tile applications is perfect for environments where there will be a tile finish such as hospitals, bathrooms, locker rooms, or hotels. With a touch latch mechanism, this door avoids the use of any visible latches; therefore, the tile sits flush inside the access doors recess. This recessed touch latch access door/panel is available with 5/8" or 1/2" recess depending the depth of the tile used. The **WB DWAL 414** recessed access door for tile is proudly manufactured for **The Williams Brothers Corporation of America**.

**SPECIFICATIONS:**

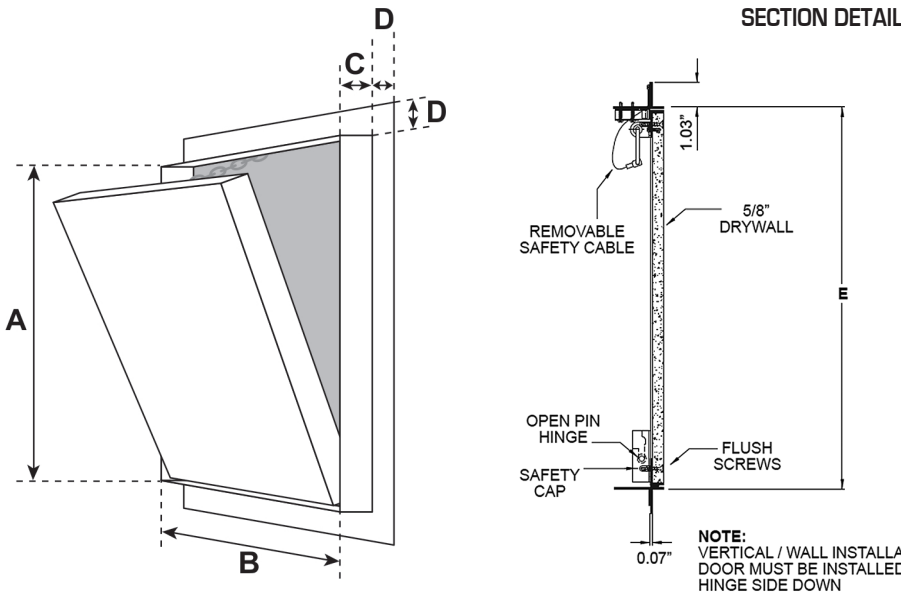
- Door & Frame:** Lightweight Welded Aluminum
- Removable Door:** Fully Detachable Hatch/Door
- Finish:** Recessed 5/8" or 1/2" for Tile
- Latches:** Heavy Duty Concealed Touch Latches
- Hinges:** Concealed Hinge

**Standard Features:**

- Easy assembly
- Solid aluminium frame
- Flush installation in ceilings and walls

**OPTIONS (AT ADDITIONAL COST)**

- WB Key Cylinder Locks - keyed alike 2 keys per door



✓	Model No.	Door Size	Cut Opening	Ship Wt. Lbs.
	DWAL 414	8 x 8	8 3/8 x 8 3/8	12
	DWAL 414	12 x 12	12 3/8 x 12 3/8	14
	DWAL 414	16 x 16	16 3/8 x 16 3/8	17
	DWAL 414	18 x 18	18 3/8 x 18 3/8	19
	DWAL 414	20 x 20	20 3/8 x 20 3/8	25
	DWAL 414	24 x 24	24 3/8 x 24 3/8	34
	DWAL 414	24 x 36	24 3/8 x 36 3/8	41

Custom sizes available upon request.

Project: \_\_\_\_\_ Date: \_\_\_\_\_  
 Contractor: \_\_\_\_\_ Architect: \_\_\_\_\_  
 Sizes: \_\_\_\_\_ Quantity: \_\_\_\_\_ App Initials: \_\_\_\_\_

1330 Progress Drive • Front Royal, VA 22630 • Phone: 1-800-255-5515 • [www.wbdoors.com](http://www.wbdoors.com)

**RELATED PRODUCTS**

**WB DW 400 Series for Drywall**

