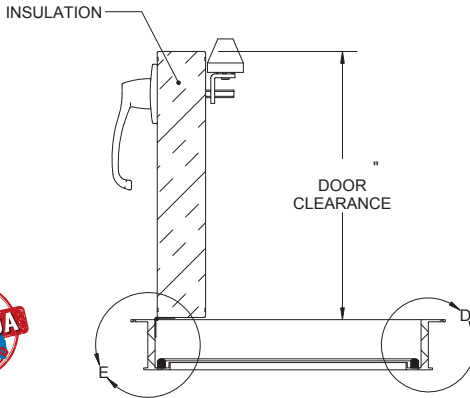
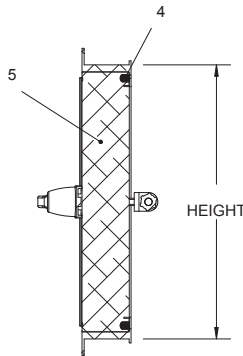
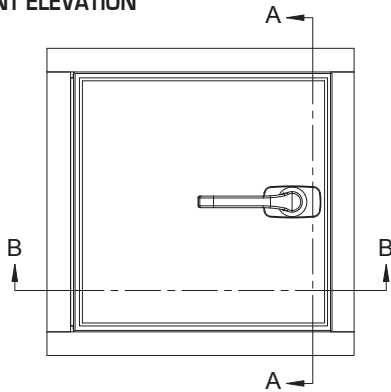


SUBMITTAL SHEET

WALLS ONLY

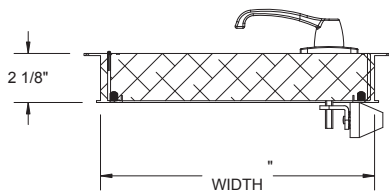


FRONT ELEVATION

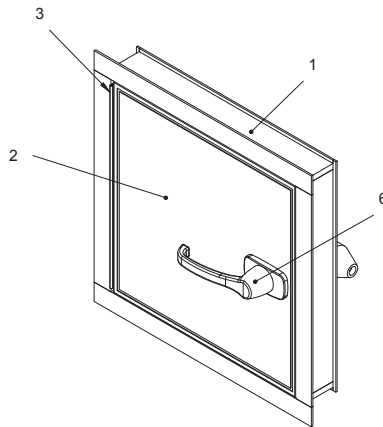


SECTION A-A

SECTION DETAIL



SECTION B-B



SPECIFICATIONS:

- Door:** Galvanealed 24 ga. steel
- Trim:** .080 inch 6063-T5 Extruded Aluminum
- Finish:** Primed grey baked enamel, **paintable surface**
- Latches:** Non-locking handle w/optional interior handle, locking handle w/optional interior handle
- Hinges:** Continuous stainless steel piano hinge
- Insulation:** 2" polyurethane insulation, 2 1/4 ld. density, 12 R-Value
- Gasket:** EPDM Self-Adhesive, Continuous 4 sides
- Application/Approval:** For exterior purposes, weather resistive. Florida Approval #FL22309

OPTIONS (at additional cost)

- Locking handle
- Interior handle
- Drip cap
- Special sizes available
- _____

✓	Model No.	Door Diameter	Rough Opening	Ship Wt. Lbs.
	EXT 1475	18 x 18	18 x 18	5
	EXT 1475	20 x 30	20 x 30	8.5
	EXT 1475	24 x 24	24 x 24	10
	EXT 1475	24 x 30	24 x 30	15
	EXT 1475	24 x 36	24 x 36	15
	EXT 1475	36 x 36	36 x 36	15

Custom sizes available upon request.

RELATED PRODUCTS

WB EXT 1350 Ultra Series Exterior Access Door



WB AL 1500 Series Aluminum Access Door



Exterior Access Door is the industry's only high velocity and impact tested door. With a design pressure of +/- 80psf, this door is sure to withstand mother nature's toughest storms.

Project: _____ Date: _____
 Contractor: _____ Architect: _____
 Sizes: _____ Quantity: _____ App Initials: _____

1330 Progress Drive • Front Royal, VA 22630 • Phone: 1-800-255-5515 • www.wbdoors.com

