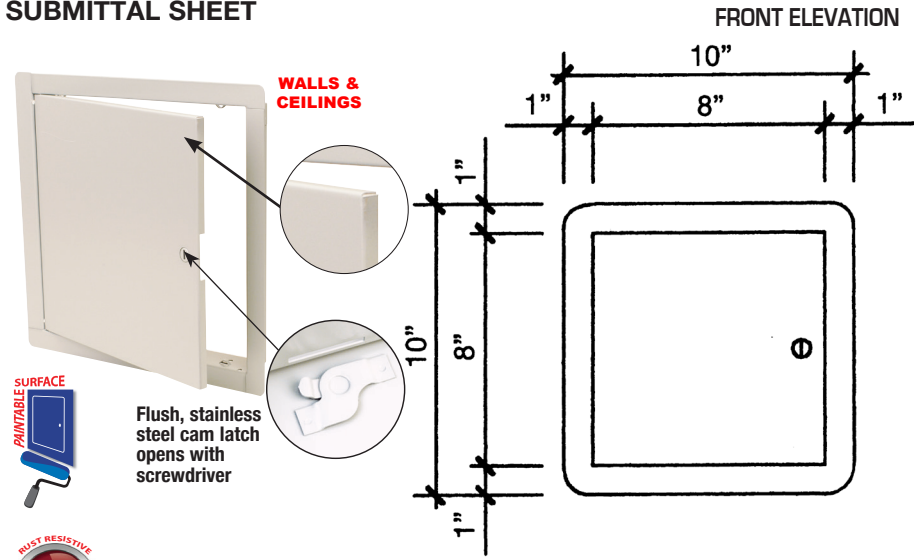


**GOOD in Quality BEST in Price!**

**SUBMITTAL SHEET**



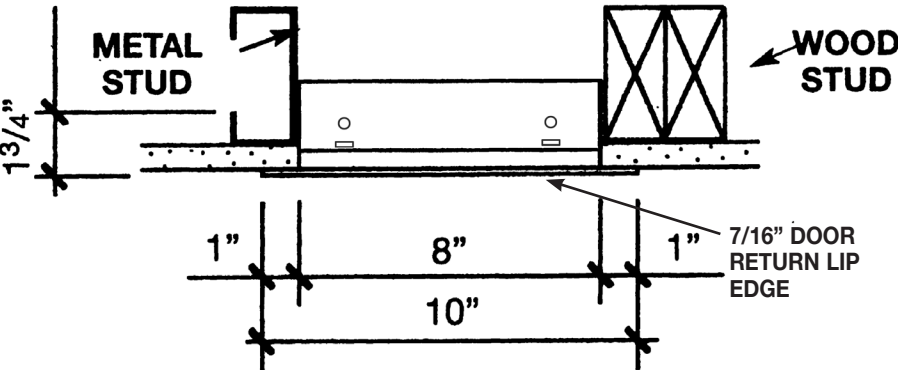
**SPECIFICATIONS:**

**Door & Trim:** 18 ga. steel (up to and including 16" x 16")  
 7/16" door return lip edge  
**Finish:** Primed white baked enamel, **paintable surface**  
**Lock:** Stainless steel flush cam latch  
**Hinge:** Pin hinge top and bottom. Allows opening to 165°

**OPTIONS (at additional cost)**

- Finishes:**
- Stainless Steel Type 304 No. 4 Satin Finish Brushed
  - Stainless Steel Type 316 No. 4 Satin Finish Brushed
- Options: (additional cost)**
- WB Key Cylinder Locks - keyed alike 2 keys per door
  - Custom colors
  - Special sizes available

**SECTION DETAIL**



This cost effective access door is satin coat galvanized with a grey baked paintable enamel finish. This door is for indoor and outdoor use. When price is an issue, bid any job with confidence using the WB-Basic Door.

✓	Model No.	Door Size W x H	Wall Opening	Cam Latches	Ship Wt. Lbs.
	BASIC 300	6 x 6	6 1/4 x 6 1/4	1	4
	BASIC 300	8 x 8	8 1/4 x 8 1/4	1	5
	BASIC 300	8 x 12	8 1/4 x 12 1/4	1	6
	BASIC 300	8 x 16	8 1/4 x 16 1/4	1	8
	BASIC 300	10 x 10	10 1/4 x 10 1/4	3	6
	BASIC 300	12 x 12	12 1/4 x 12 1/4	3	8
	BASIC 300	12 x 16	12 1/4 x 16 1/4	3	10
	BASIC 300	12 x 18	12 1/4 x 18 1/4	3	11
	BASIC 300	12 x 24	12 1/4 x 24 1/4	4	15
	BASIC 300	14 x 14	14 1/4 x 14 1/4	3	10
	BASIC 300	14 x 24	14 1/4 x 24 1/4	3	14
	BASIC 300	16 x 16	16 1/4 x 16 1/4	3	13
	BASIC 300	16 x 20	16 1/4 x 20 1/4	3	16
	BASIC 300	16 x 24	16 1/4 x 24 1/4	4	17
	BASIC 300	18 x 18	18 1/4 x 18 1/4	3	14
	BASIC 300	18 x 24	18 1/4 x 24 1/4	4	18
	BASIC 300	18 x 36	18 1/4 x 36 1/4	5	29
	BASIC 300	20 x 20	20 1/4 x 20 1/4	3	17
	BASIC 300	20 x 24	20 1/4 x 24 1/4	4	21
	BASIC 300	20 x 30	20 1/4 x 30 1/4	4	23
	BASIC 300	22 x 22	22 1/4 x 22 1/4	4	22
	BASIC 300	22 x 24	22 1/4 x 24 1/4	4	23
	BASIC 300	22 x 30	22 1/4 x 30 1/4	4	25
	BASIC 300	22 x 36	22 1/4 x 36 1/4	5	32
	BASIC 300	24 x 24	24 1/4 x 24 1/4	4	24
	BASIC 300	24 x 30	24 1/4 x 30 1/4	4	27
	BASIC 300	24 x 36	24 1/4 x 36 1/4	5	35
	BASIC 300	24 x 48*	24 1/4 x 48 1/4	6	43
	BASIC 300	30 x 30	30 1/4 x 30 1/4	6	32
	BASIC 300	30 x 36	30 1/4 x 36 1/4	6	39
	BASIC 300	32 x 32	32 1/4 x 32 1/4	6	35
	BASIC 300	36 x 36	36 1/4 x 36 1/4	7	44

**RELATED PRODUCTS**



**BEST in Quality!  
GOOD in Price!**

**WB GP 100 Premium Access Door**



**GOOD in Quality!  
BEST in Price!**

**WB UAD 200 Series Utility Access Door**

Project: \_\_\_\_\_ Date: \_\_\_\_\_  
 Contractor: \_\_\_\_\_ Architect: \_\_\_\_\_  
 Sizes: \_\_\_\_\_ Quantity: \_\_\_\_\_ App Initials: \_\_\_\_\_

1330 Progress Drive • Front Royal, VA 22630 • Phone: 1-800-255-5515 • [www.wbdoors.com](http://www.wbdoors.com)



**Family Owned & Operated**  
Since 1990




**BuyOnline**  
WBCA 2019