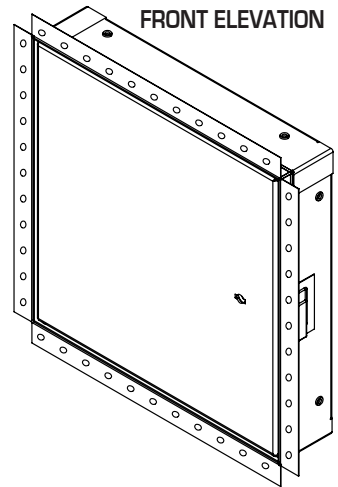
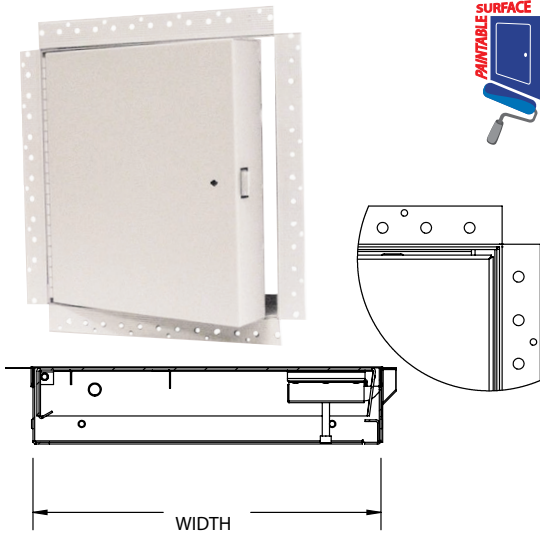


SUBMITTAL SHEET



SECTION DETAIL

SPECIFICATIONS:

- Door:** 20 ga. steel, drywall bead
- Trim:** 16 ga. steel, 1" wide perforated flange of 24 ga. galvanized material for mounting purposes, 2 1/2" deep
- Finish:** Primed white baked enamel, paintable surface
- Latch:** Spring loaded sliding bolt type, paddle latch. 2 keys per door keyed alike. Self-latching with automatic closer and interior latch release
- Hinge:** Continuous piano type hinge. Allows opening to 175°
- Insulation:** 2" thick mineral wool in between two pieces of steel
- Ceiling Installation:** Largest size acceptable is up to and including 24" x 36"

OPTIONS (at additional cost)

- Finishes:**
- Stainless Steel Type 304 No. 4 Satin Finish Brushed
 - Stainless Steel Type 316 No. 4 Satin Finish Brushed
- Options: (additional cost)**
- Mortise lock and locks by others
 - Hot Smoke Seal* gasket all 4 sides
 - Special sizes available
 -

✓	Model No.	Door Size W x H	Wall Opening	Slam Catch	Ship Wt. Lbs.
	FR DW 820	8 x 8	8 3/8 x 8 3/8	1	8
	FR DW 820	10 x 10	10 3/8 x 10 3/8	1	10
	FR DW 820	12 x 12	12 3/8 x 12 3/8	1	12
	FR DW 820	12 x 18	12 3/8 x 18 3/8	1	15
	FR DW 820	12 x 24	12 3/8 x 24 3/8	1	19
	FR DW 820	14 x 14	14 3/8 x 14 3/8	1	14
	FR DW 820	16 x 16	16 3/8 x 16 3/8	1	17
	FR DW 820	18 x 18	18 3/8 x 18 3/8	1	21
	FR DW 820	18 x 24	18 3/8 x 24 3/8	1	26
	FR DW 820	20 x 30	20 3/8 x 30 3/8	1	24
	FR DW 820	22 x 22	22 3/8 x 22 3/8	1	28
	FR DW 820	22 x 24	22 3/8 x 24 3/8	1	29
	FR DW 820	22 x 30	22 3/8 x 30 3/8	2	39
	FR DW 820	22 x 36	22 3/8 x 36 3/8	2	47
	FR DW 820	24 x 24	24 3/8 x 24 3/8	1	32
	FR DW 820	24 x 30	24 3/8 x 30 3/8	2	43
	FR DW 820	24 x 36	24 3/8 x 36 3/8	2	48
	FR DW 820	24 x 48"	24 3/8 x 48 3/8	2	62
	FR DW 820	30 x 30"	30 3/8 x 30 3/8	2	48
	FR DW 820	32 x 32"	30 3/8 x 32 3/8	2	55
	FR DW 820	36 x 36"	36 3/8 x 36 3/8	2	58
	FR DW 820	36 x 48"	36 3/8 x 48 3/8	2	62
	FR DW 820	48 x 48"	48 3/8 x 48 3/8	2	68

* Wall installation only

RELATED PRODUCTS



WBdoors.com

BuyOnline
 WBCA 2025

Fire-rated access door for ceiling and wall installation

UL, Northbrook, IL - 1-1/2 hour "B" label for vertical wall installations only. This door may be used in a two hour fire rated wall assembly

Warnock Hersey International; 3 hour fire rated ceiling assembly.

NOTE: For fire-rated ceiling access doors, on size 16" x 16" and larger, extra spring supplied with door must be attached from back of door pan to framing or floor above. In horizontal (ceiling) applications door has self-assisted closing.

**** Hot Smoke Seal™ fire tested:** Listed to meet the requirements of standards UL10B, UL10C, UBC 7-2, Part 1 and BS476: 1987 for application to fire rated door assemblies. Tested for smoke controlled assemblies: Listed to meet the requirements of standards UL1784, NFPA 105, UBC 7-2, Part 2, and BS476:Part 31, Section 31.1:1983.

It also is a chemically inert, highly stable, expandable graphite strip, tested and proven in positive pressure conditions to withstand both hot smoke and hot gasses, resulting in the longer integrity of a door assembly. More economical to use than specially modified doors in "tested assembly only" classifications. Chemically inert, and therefore will not degrade from carbon dioxide and ozone like the many intumescent being offered by other manufacturers.

Hot Smoke Seal™ is not affected by moisture and will not break down like fiber or cellulose based products and does not require periodic after market field inspections.

Insulation: is a rigid mineral wool (stone wool) insulation board for high temperature industrial applications subject to light mechanical loads.] - 2" thickness.

Project: _____ Date: _____
 Contractor: _____ Architect: _____
 Sizes: _____ Quantity: _____ App Initials: _____

1330 Progress Drive • Front Royal, VA 22630 • Phone: 1-800-255-5515 • www.wbdoors.com



AWCI ASSOCIATION OF THE WALL AND CEILING INDUSTRY

The World's Largest Access Door Store.™