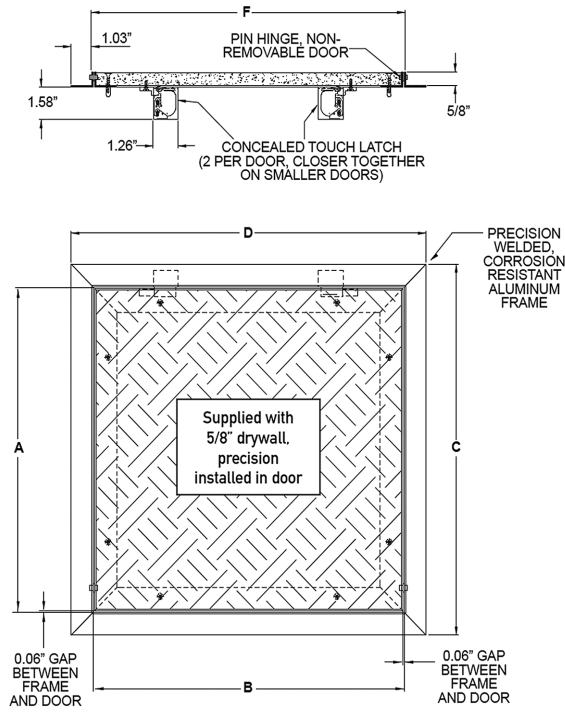
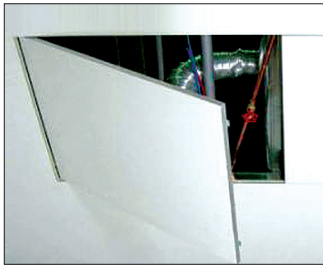


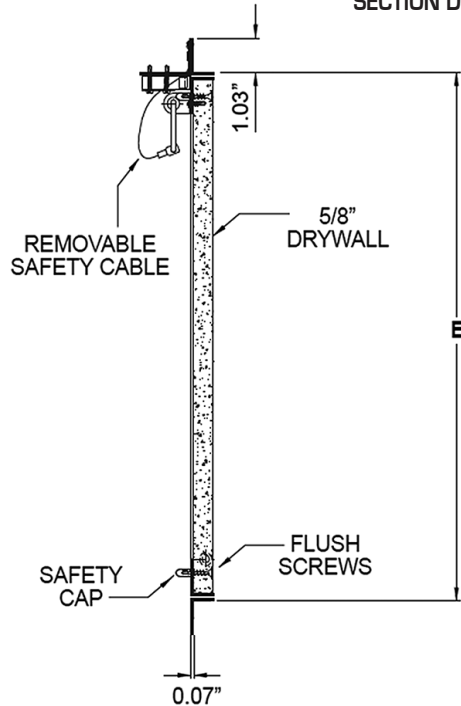
SUBMITTAL SHEET

WALLS & CEILINGS

FRONT ELEVATION



SECTION DETAIL



SPECIFICATIONS:

- Consists of a welded aluminium frame and is available with or without 1/2" or 5/8" inlayed drywall and two latches
- Outer and an inner frame assembly consists of high grade aluminium bonded with a special welding process.
- 12" x 12" and up access panels are equipped with a safety-system to prevent accidental opening. Must be reattached after each opening
- Reveal of 1/16" of an inch is visible between the outer frame and door hatch
- Concealed snap locks open the access panel when pressure is applied to the spring loaded latch side

Standard Features:

- Easy assembly
- Solid aluminium frame
- Flush installation in ceilings and walls
- Available in moisture resistant, mildew resistant drywall

OPTIONS (at additional cost)

- WB Key Cylinder Locks - keyed alike 2 keys per door

✓	Model No.	Door Size	Cut Opening	Ship Wt. Lbs.
	DWAL 411	8 x 8	8 3/8 x 8 3/8	12
	DWAL 411	12 x 12	12 3/8 x 12 3/8	14
	DWAL 411	16 x 16	16 3/8 x 16 3/8	17
	DWAL 411	18 x 18	18 3/8 x 18 3/8	19
	DWAL 411	20 x 20	20 3/8 x 20 3/8	25
	DWAL 411	24 x 24	24 3/8 x 24 3/8	34
	DWAL 411	24 x 36	24 3/8 x 36 3/8	41

Custom sizes available upon request.

RELATED PRODUCTS

WB DW 400 Series for Drywall



Project: _____ Date: _____
 Contractor: _____ Architect: _____
 Sizes: _____ Quantity: _____ App Initials: _____

1330 Progress Drive • Front Royal, VA 22630 • Phone: 1-800-255-5515 • www.wbdoors.com