

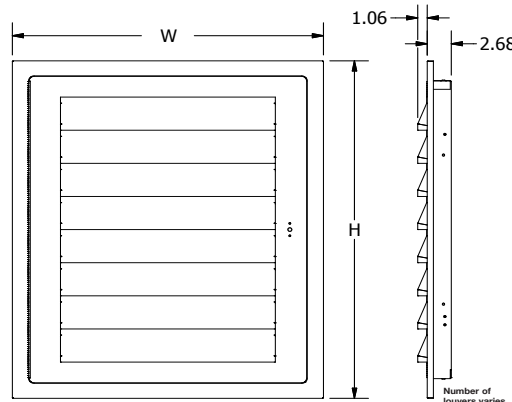
SUBMITTAL SHEET

WALLS ONLY

FRONT ELEVATION



Number of louvers varies by door size



SPECIFICATIONS:

Door: 16 ga. steel

Trim: 16 ga. steel

Finish: Galvannealed steel. Primed white baked enamel, paintable surface

Latches: Chrome plated "T" type handle with pivot rod 1 point catch. [3 point catch on 18 x 18 and above]. Key cylinder lock. **Opens with the outside handle only. No interior release.**

Hinges: Continuous piano hinge

Louwer Guard: Metal screen louver guard on inside of door

Gasket: Closed cell neoprene gasket on the back and inside of the door

Application: For exterior purposes, weather resistive



Double Neoprene gasket applied on back inside edge and front edge



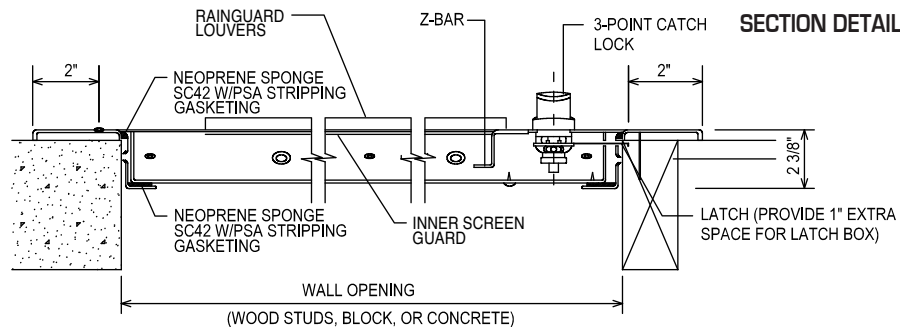
T-Handle and keys



3 point catch on 18 x 18 and above



✓	Model No.	Door Size W x H	Wall Opening *	Ship Wt. Lbs.
	EXT-RG 1400	12 x 12	12 1/4 x 12 1/4	27
	EXT-RG 1400	14 x 14	14 1/4 x 14 1/4	30
	EXT-RG 1400	16 x 16	16 1/4 x 16 1/4	35
	EXT-RG 1400	18 x 18	18 1/4 x 18 1/4	40
	EXT-RG 1400	22 x 30	22 1/4 x 30 1/4	45
	EXT-RG 1400	22 x 36	22 1/4 x 36 1/4	50
	EXT-RG 1400	24 x 24	24 1/4 x 24 1/4	55
	EXT-RG 1400	24 x 30	24 1/4 x 30 1/4	60
	EXT-RG 1400	24 x 36	24 1/4 x 36 1/4	67
	EXT-RG 1400	24 x 48	24 1/4 x 48 1/4	100
	EXT-RG 1400	30 x 30	30 1/4 x 30 1/4	65
	EXT-RG 1400	30 x 36	30 1/4 x 36 1/4	79
	EXT-RG 1400	30 x 48	30 1/4 x 48 1/4	85
	EXT-RG 1400	36 x 36	36 1/4 x 36 1/4	90



The one of a kind exterior access door is galvannealed** steel, rainguard louvers, and includes two applications of gasket. Closed cell neoprene sponge SC42 W/PSA stripping gasket on inside and back of door for outdoor applications (certain saltwater areas might not be compatible).

1. When a door increases in size, more cams are added for security
2. For requests on clear opening after door installed, please email info@wbdoors.com
3. All installation holes must be used for proper door functionality and security
4. For custom sizes, please reach out to info@wbdoors.com
5. Clear opening may be impeded by structural or functional parts on door
6. Drawings of any door can be requested through info@wbdoors.com

** Galvannealed steel: The preferred coated steel for use in architectural applications.
 • Coated in zinc, heated to over 1000° F so iron is pulled from steel.
 • Iron mixes with zinc coating, making it harder, more scratch-resistant, uniform in appearance.
 • Galvannealed steel bonds better with paint, and better for welding.

THE WILLIAMS BROTHERS ADVANTAGE

Durability: Taber Abrasion Tested - Withstood 4,550 cycles [ASTM D4060] with a wear index of 91.1 for a durable, long-lasting finish.

Corrosion Resistance: Salt Spray Tested - Withstood 48 hours of ASTM B117 exposure with only slight edge rusting, demonstrating excellent resistance to harsh environments.

UV Resistance: Tested to ASTM G155 & G154 standards - Withstood 48 hours of continuous UV exposure with negligible visual change, ensuring color stability and finish durability in sunlit environments.



Project: _____ Date: _____
 Contractor: _____ Architect: _____
 Sizes: _____ Quantity: _____ App Initials: _____

1330 Progress Drive • Front Royal, VA 22630 • Phone: 1-800-255-5515 • www.wbdoors.com



The World's Largest Access Door Store.™

