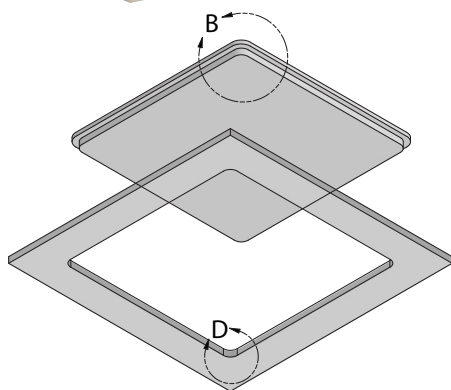
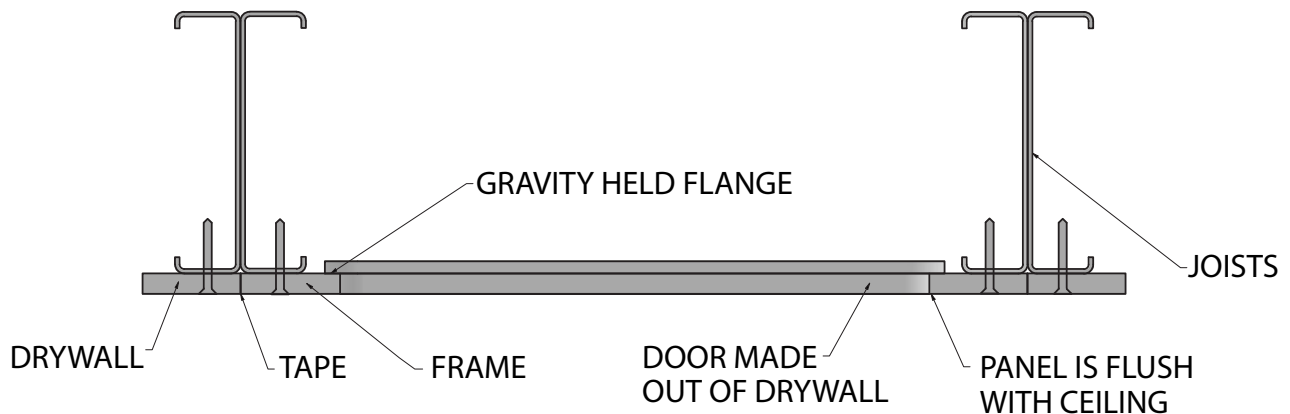


Patent Pending.
Invented by Gabriel Williams

WB-DW 405 Phantom™ SERIES All Drywall Ceiling Access Door

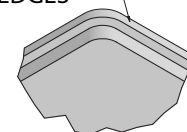
CEILING INSTALLATION



- 1. FRAME THE OPENING:** Frame all four sides of the opening with approved joist framing, the frame opening is to be 6 inches greater than the door size. It is recommended to use screws every 3 inches to secure the frame to the newly set joists. The Screw length for steel = 1-1/8", for wood = 1-1/4". Construction adhesive is recommended as an additional security measure for mounting the frame to joists.
- 2. MOUNTING:** Once the frame is mounted and secured the door may be dropped in, drywall tape may be applied to the seam with drywall mud accordingly until flush and concealed. Ensure no cracks or chips are in the door or frame so that it is secure. Proper installation is required as to ensure door not fall out of ceiling.
- 3. Once the Panel and Frame are finished,** paint can be applied.

- 4. ATTENTION!** For door sizes greater than 24 x 24, an aluminum backing will be applied with a safety chain to allow door to be secured to ceiling joists above.

SEALED
DRYWALL
EDGES



DETAIL B

SEALED DRYWALL
EDGES FOR
HANDLING DURABILITY



DETAIL D